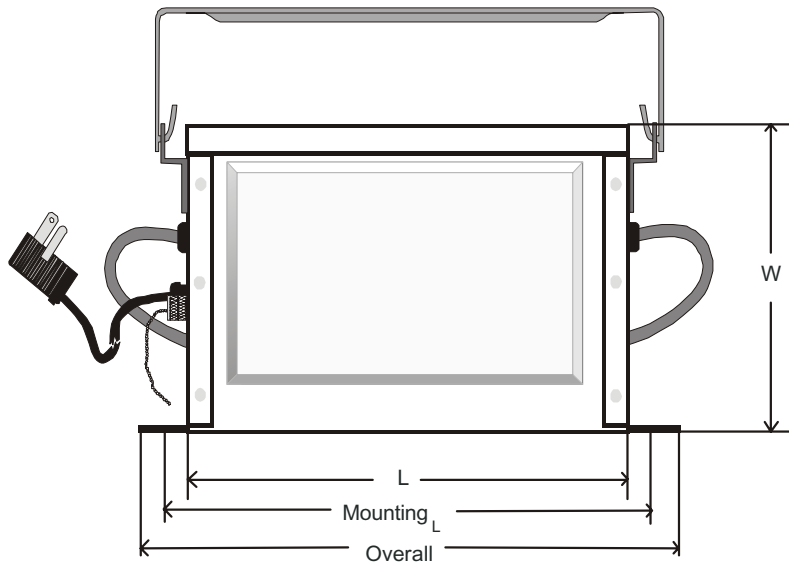


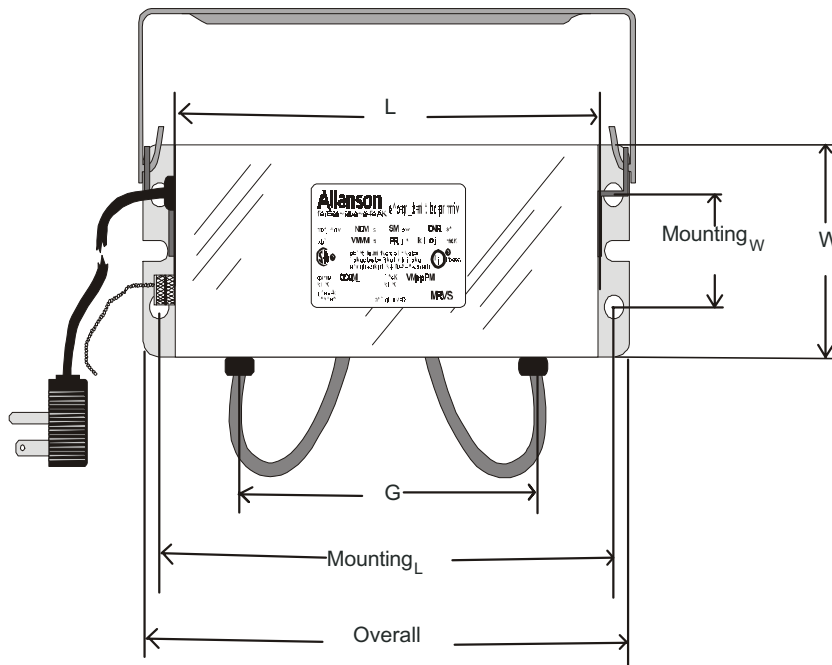
Indoor Hanger Style Transformers

A



**12 kV & 15 kV
Design**

B



**7.5 kV & 9 kV
Design**

DRAWING	Overall	L	W	H	M _L	M _w	G
A	11 1/4	9	6 3/8	4 3/8	10 1/4	2 1/2	9
B	9 1/2	8 1/4	3 3/8	3 5/8	8 7/8	2	4 1/2