

WARRANTY

(Effective January 1, 2007)

HIX will automatically register the equipment on the date it was shipped to you or your distributor. If the equipment was not purchased directly from HIX, but through a distributor (either domestic or foreign), please keep a copy of their sales invoice showing the serial number and date it was sold/shipped to you with this warranty. In this case, we will use the distributor's invoice date as the beginning warranty date. **STAPLE A COPY OF YOUR RECEIPT TO THIS WARRANTY** and keep in a safe place to provide verification of your warranty should a problem occur. Thank you.

Please fill in the following information and attach a copy of your receipt for your records.

Date Purchased: _____ From: _____
Model #: _____ Serial #: _____

This warranty applies to equipment manufactured by the HIX Corporation (HIX), Pittsburg, Kansas, U.S.A. HIX warrants to the original purchaser, its Conveyor Dryers, Heat Transfer Presses, Mug Presses, Mug Glazer, Retensionable Screen Frames, Textile Printers, Spot Heaters, and Exposure Units against defects in workmanship and material, except for wear and tear for a period of "One Year" from the date of purchase. HIX warrants its Accessories, Reten Spines/Hardware/Tool Kit, and Shuttle for a period of 90 days from the date of purchase. DoughXpress and Thermatrol products are covered under separate warranty.

In the event of a defect, HIX, at its option, will repair, replace or substitute the defective item at no cost during this period subject to the limitations of insurance and shipping costs stated below.

In the case of heat transfer presses (except the Mug Press, Hobby Lite), HIX warrants the heat casting for the "Life" of the machine for the original purchaser. If a part becomes obsolete at the time for repair, and/or cannot be reasonably substituted for, HIX will credit, at half the then current list price or last recorded price, only that part toward a new machine or any product HIX offers. This credit offer shall be the sole responsibility of the HIX Corporation in the event of an obsolete part.

This warranty does not cover belts, pads, mug wraps, mug press liners, canvas, rubber blankets, bulbs, glass, PTFE or finish, rod ends, turn buckles on printers, or mug press or damages due to accident, misuse/abuse, alterations or damage due to neglect, shipping or lack of proper lubrication or maintenance. HIX shall not be responsible for repairs or alterations made by any person without the prior written authorization by HIX. This warranty is the sole and exclusive warranty of HIX and no person, agent, distributor, or dealer of HIX is authorized to change, amend or modify the terms set forth herein, in whole or in part.

In the case of a problem with the equipment identified herein, HIX Corporation should be contacted during regular business hours to discuss the problem and verify an existing warranty. HIX personnel will assist the customer to correct any problems which can be corrected through operation or maintenance instructions, simple mechanical adjustments, or replacement of parts. In the event the problem cannot be corrected by phone, and upon the issuance of a return authorization by HIX, the equipment shall be returned to HIX or an authorized service representative. All insurance and shipment/freight costs are solely the responsibility of the customer, and not that of HIX, and HIX shall not be responsible for improper handling or damage in transit. HIX offers a reconditioning service and a core exchange/credit policy on some models. HIX customer service personnel may be contacted for complete return authorization and reconditioning information.

This expressed warranty is given in lieu of any and all other warranties, whether expressed or implied, including but not limited to those of merchantability and fitness for a particular purpose, and constitutes the only warranty made by HIX Corporation.

In no event shall HIX's liability for breach of warranty extend beyond the obligation to repair or replace the nonconforming goods. HIX shall not be liable for any other damages, either incidental or consequential, or the action as brought in contract, negligence or otherwise.

This warranty gives you specific legal rights and you may also have other rights which vary from state to state.



Manufacturers of the Finest Quality Textile and Graphics Screen Printing and Heat Transfer Equipment

1201 E. 27th Terrace • Pittsburg, KS 66762 • U.S.A.
Web site: www.hixcorp.com • Phone: (800) 835-0606
E-Mail: customerservice@hixcorp.com • Fax: (866) 561-0894
E-Mail: sales@hixcorp.com • Fax: (866) 563-4600

Presto 15

The Affordable Portable Heat Transfer Machine

OWNER'S MANUAL



U.S. Pat. #6,058,834



For Customer Service, Call **1-800-835-0606**
ext. 209, ext. 211, ext. 220, ext.221 or
Visit www.hixcorp.com

CONTENTS

- Receiving and Shipping 2
- Set Up and Operation 3-4
- Maintenance 5
- Wiring Diagram 5
- Parts Identification 6-7
- Warranty 8

BEFORE warranty repair you MUST get Prior Authorization:
Call 1-800-835-0606

INTRO / RECEIVING & SHIPPING

Congratulations on your purchase of the new Presto™ heat transfer machine. Three simple variables are involved in the process of transferring an image: pressure, temperature, and time. Pressure is easily controlled and adjustable. HIX, first in the industry setting, gives you the same pressure every time! Temperature is as simple as setting your temperature control to the setting of your transfer. Most transfers call for 6-12 seconds. A simple mental countdown such as: 5...4...3...2...1...open, works every time!

NOTE: Always follow your transfer application instructions. High pressure is a firm setting, medium is usually 1-1/2 settings less! Finally, always practice time, temperature and pressure with a new transfer on a scrap sample.

UNPACKING

Remember to save all packing materials - including box, base and liners. You may need these for shipping your machine or if a repair is necessary in the future.

INSPECTION

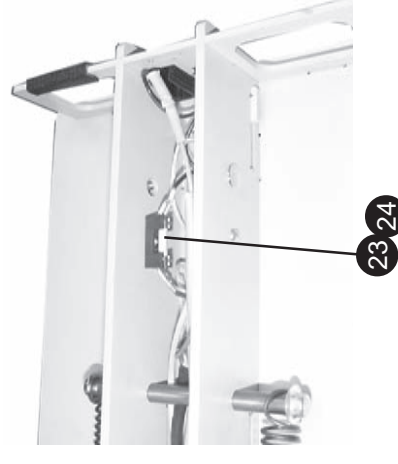
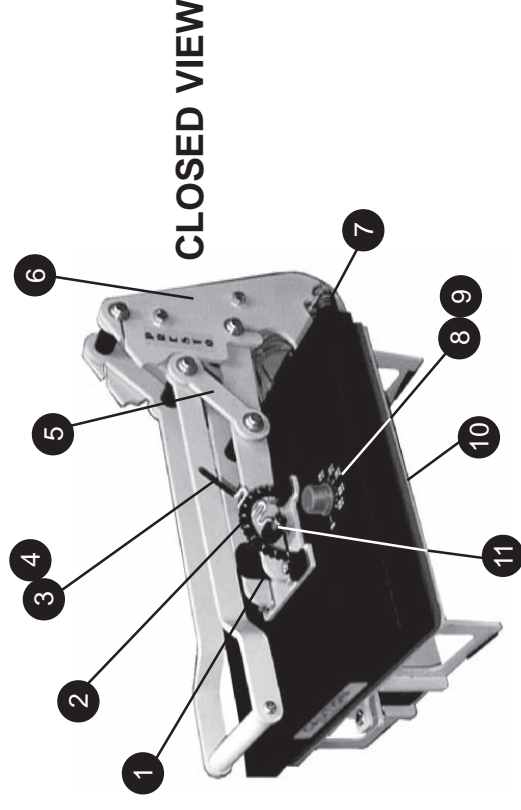
Inspect your machine for hidden shipping damage. Contact the delivery company immediately, should you find damage.

SHIPPING OR RETURNS

NOTE: Save all of your shipping/packing materials.
DO NOT RISK COSTLY SHIPPING DAMAGE!
SHIP ONLY IN ORIGINAL BOX.

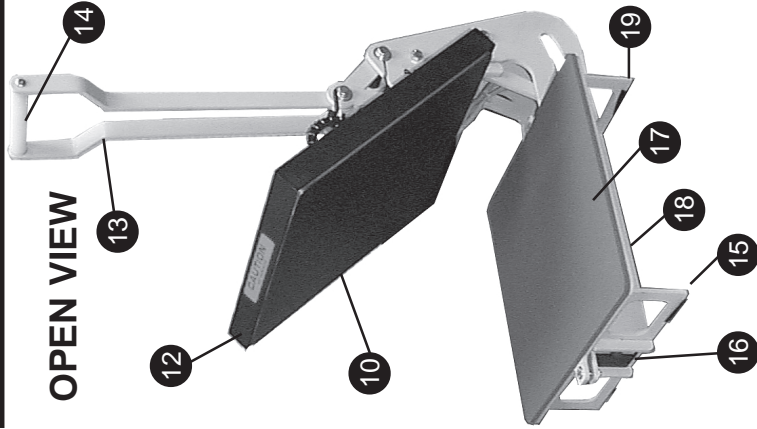
1. Use stretch film (Glad Wrap™) to wrap and secure Presto handle to lower platen and reinforce only over wrapped area with shipping tape.
2. Use stretch film (Glad Wrap™) again to wrap the entire Presto machine to the original cardboard base and reinforce only over wrapped area with shipping tape.
3. Place Presto in original box and put in original side liner and top liner. Make sure block on top liner pushes down against the Presto frame. Close flaps and secure with reinforced shipping tape.
 (Additional box, base and liners may be obtained from your supplier for a nominal cost.)

PARTS IDENTIFICATION



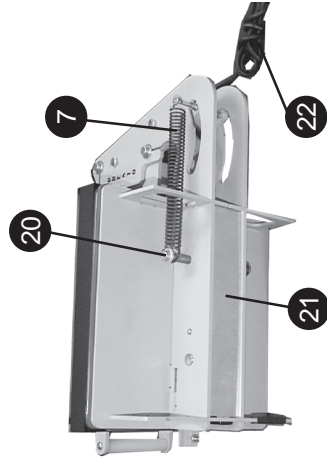
#	Description	Part No.	#	Description	Part No.
14	Handle Grip	2507074	22	15"x15" Cordset - 120V	39768
15	Front Leg	15660		15"x15" Cordset - 220V	19895
16	Indicating Light - 120V	14233	23	Fuse Holder	57118
	Indicating Light - 220V	14241	24	Fuse-15 MDA-120V (15")	13045
17	Silicon Pad (15")	14842A		Fuse-8 MDA-220V (15")	13052
18	Lower Platen (15")	14834			
19	Rear Leg	15733			
20	Rod Spring Retainer	4105008			
21	Cover - Base	4104001			

PARTS IDENTIFICATION



OPEN VIEW

For customer service, visit www.hixcorp.com or call 620-231-8568. Instructions and parts ordering are available on-line.



BOTTOM VIEW

#	Description	Part No.	#	Description	Part No.
1	Main Arm Assembly	15709	10	Heat Casting - 120V (15")	82040
2	Sector Plate	15717		Heat Casting - 220V (15")	82057
3	Lever Adjust Assembly	15695	11	Eccentric Pin	19054
4	Lever Cap	13889	12	Heat Shield - (15")	14796
5	Link Assembly/Caps	15725	13	Handle Assembly	15679
6	Tower Sides & Base (2)	15687			
7	Spring (2)	49122			
8	Thermostat	16436			
9	Knob	94854			

OPERATION

SET UP AND OPERATION

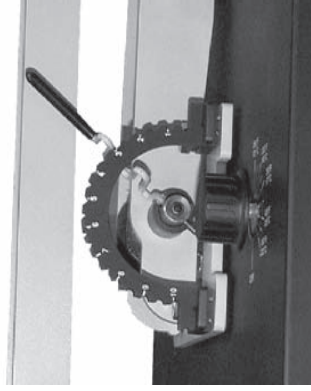
1. Remove the Presto heat transfer machine from its carton and inspect for shipping damage. Report any damage you find to your shipper immediately. Place your new machine on a sturdy, level counter or table.
2. Unwrap the cordset and plug into the grounded power source.

NOTE: When using an extension cord, use only grounded 14 gauge or lower gauge with a maximum length of 25 feet.

3. Begin by finding the optimum pressure setting. First, open machine and set pressure to 6-1/2. **(Do not set pressure with machine closed.)** Next close the machine. Pull up on the handle to open and adjust setting so as to achieve firm pressure when closed.

Move the Pressure Adjust Lever by pressing the lever to the left then slide up and down the notched scale. Lever position all the way to the front (#10) is maximum pressure and all the way toward the back (#1) is minimum pressure. Find the notch that best closes on your material with a firm but comfortable closing tension. Thin material (such as T-shirts) will require more pressure and thicker material (such as sweatshirts and mouse pads) will require less pressure. Record your numbered setting to reference for later applications.

NOTE: If front of machine lifts when you open machine, pressure is too high. Reduce pressure.

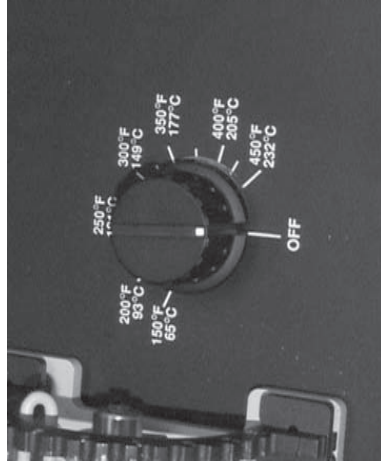


Pressure Adjust Lever

OPERATION

4. Check the application recommendations that came with the brand of transfer you are using. Set the Temperature Control Knob accordingly. When the Temperature Knob is turned from the "off" position the indicating light on the front of the machine, under the lower platen, will illuminate. The light will stay on until the heat platen reaches your set temperature. Once the light goes "off" the temperature has been reached and the machine is ready for transferring.

NOTE: The light will cycle "on" and "off" as the machine maintains set temperature.



◀ Temperature Control Knob and Settings



Indicating Light

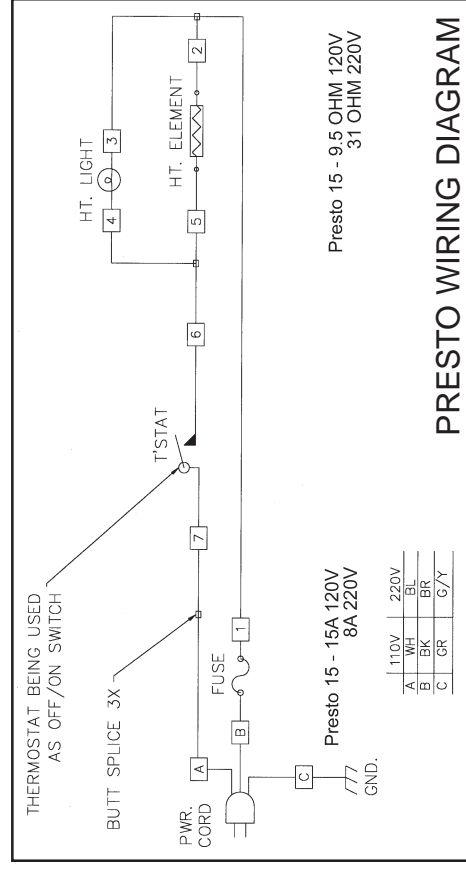
MAINTENANCE

MAINTENANCE

Your Presto machine is built simple, yet durable. Every 90 days put a drop of light machine oil, such as 3 in 1 oil, on each side of the moving links, arms, pins, as well as on the pressure adjusting notches. The zinc plated surfaces easily wipe clean with household cleaner or windex. Use a scruffy pot cleaner or steel wool to remove build up on the face of the aluminum heat casting.



WARNING: Possible injury due to pinch points. Keep all children, fingers and clothing away when opening and closing the machine.



PRESTO WIRING DIAGRAM