

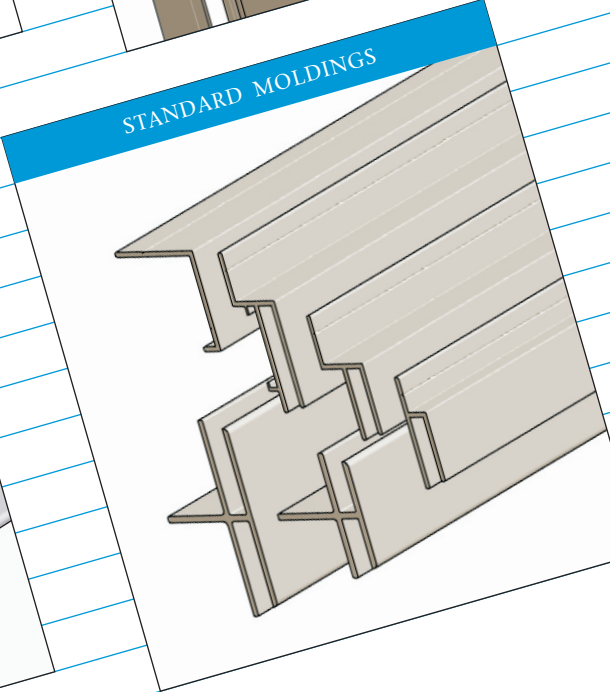
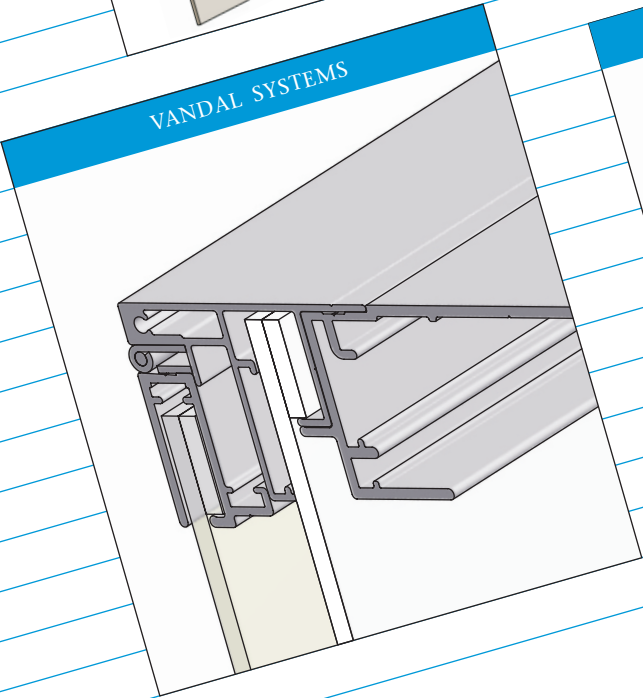
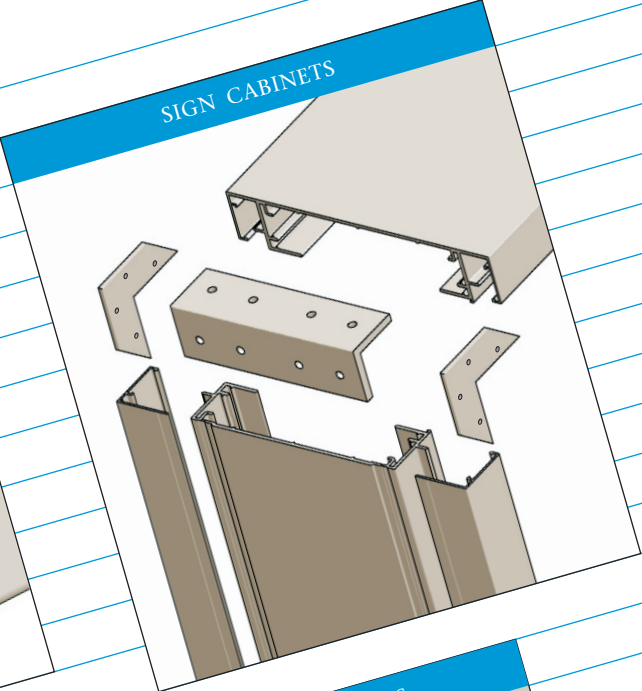
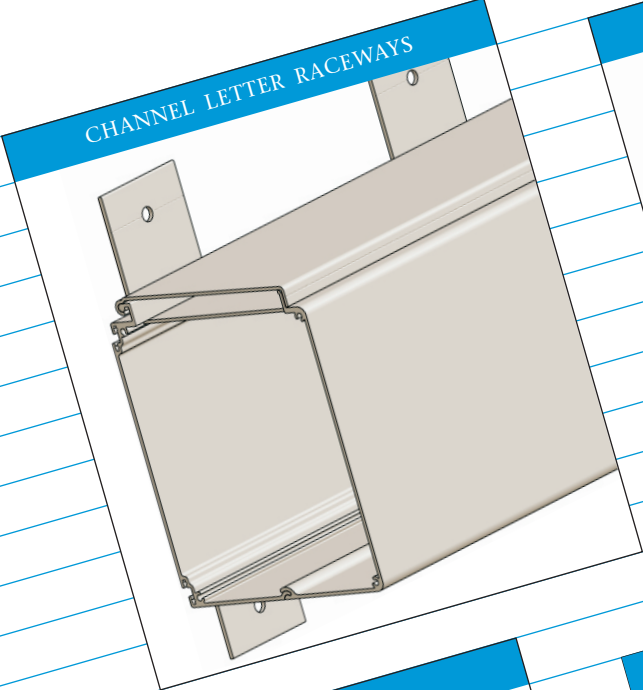


PRICE ADJUSTMENT
EFFECTIVE MARCH 1, 2009

Mill Finish Extrusions & Kits.....	-5%
Pre-Painted Extrusions & Kits.....	-5%
All Accessories and Components.....	-5%

Please contact your SignComp Customer Service Representative for exact pricing.

Standard Product





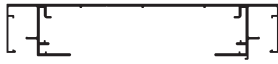



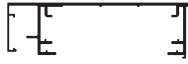




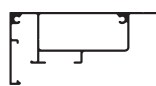


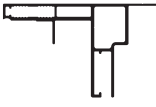
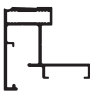


Standard System Configurations

1Part 12" Body	1Part 9" Body	1Part 8" S/F Body	1Part 6" S/F Body
1Part Bodies			
2Part Retainer			
2Part Extended Retainer/2Part Extended Frame & Cover			
2Part Large Extended Retainer			
2Part Vandal Systems			
2Part Large Vandal Systems			
2Part Vandal Systems w/2Part Extended Retainer			
2Part Large Vandal Systems w/2Part Large Extended Retainer			



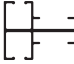


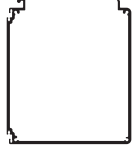
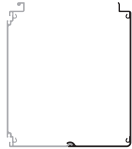
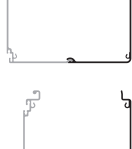
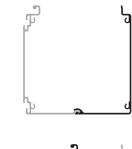
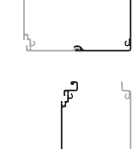




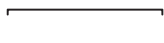




Extrusions Priced by the Length

	Part	Part Number	Length	Mill Finish	Pre-painted
Sign Cabinet Bodies					
	1Part 12" Double Face Body	1924	24'-6"	\$268.88 <i>Cost per Foot</i> 10.97	\$345.10 14.09
	2Part 12" Double Face Body	1929	24'-6"	206.79 <i>Cost per Foot</i> 8.44	265.40 10.83
	1Part 9" Double Face Body	1923	24'-6"	217.33 <i>Cost per Foot</i> 8.87	283.04 11.55
	2Part 9" Double Face Body	1928	24'-6"	161.37 <i>Cost per Foot</i> 6.59	210.15 8.58
	1Part 8" Single Face Body	1922	24'-6"	188.46 <i>Cost per Foot</i> 7.69	245.43 10.02
	2Part 8" Single Face Body	1927	24'-6"	156.89 <i>Cost per Foot</i> 6.40	205.01 8.37
	1Part 6" Single Face Body	1921	24'-6"	158.90 <i>Cost per Foot</i> 6.49	206.56 8.43
	2Part 6" Single Face Body	1926	24'-6"	127.62 <i>Cost per Foot</i> 5.21	165.90 6.77
Retainers					
	2Part Retainer	1944	24'-6"	25.25 <i>Cost per Foot</i> 1.03	33.23 1.36
	2Part Extended Retainer	1940	24'-6"	86.41 <i>Cost per Foot</i> 3.53	113.76 4.64
	2Part Extended Frame	1955	24'-6"	54.53 <i>Cost per Foot</i> 2.23	70.76 2.89
	2Part Large Extended Retainer	1939	24'-6"	115.25 <i>Cost per Foot</i> 4.70	151.73 6.19
Vandal Systems					
	2Part Inner Frame	1960	24'-6"	60.36 <i>Cost per Foot</i> 2.46	78.61 3.21
	2Part Outer Frame	1942	24'-6"	47.06 <i>Cost per Foot</i> 1.92	61.50 2.51
	2Part Large Inner Frame	1959	24'-6"	146.40 <i>Cost per Foot</i> 5.98	190.66 7.78
	2Part Large Outer Frame	1941	24'-6"	106.27 <i>Cost per Foot</i> 4.34	138.90 5.67

Extrusions are available in full lengths only.






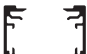
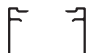







Extrusions Priced by the Length

Part		Part Number	Length	Mill Finish	Pre-painted
Dividers	 2Part Divider	1905	24'-2"	\$57.13 <i>Cost per Foot</i> 2.36	\$71.55 2.96
	 1-1/2" Standard Divider	1910	24'-5"	37.25 <i>Cost per Foot</i> 1.53	N/A N/A
	 2-1/2" Standard Divider	1920	24'-5"	53.61 <i>Cost per Foot</i> 2.20	N/A N/A
Channel Letter Raceways					
	1 Piece 8" Channel Letter Raceway	1980	24'-2"	394.76 <i>Cost per Foot</i> 16.33	N/A N/A
	2 Piece 8" Channel Letter Raceway - Front	1981	24'-2"	125.17 <i>Cost per Foot</i> 5.18	N/A N/A
	2 Piece 8" Channel Letter Raceway - Back	1982	24'-2"	138.05 <i>Cost per Foot</i> 5.71	N/A N/A
	2 Piece 5" Channel Letter Raceway - Front	1971	24'-2"	78.06 <i>Cost per Foot</i> 3.23	N/A N/A
	2 Piece 5" Channel Letter Raceway - Back	1972	24'-2"	86.89 <i>Cost per Foot</i> 3.60	N/A N/A
	2 Piece 5" Narrow Channel Letter Raceway - Back	1972N	24'-2"	72.51 <i>Cost per Foot</i> 3.00	N/A N/A
	8" Channel Letter Raceway Cover	1986	24'-3"	60.06 <i>Cost per Foot</i> 2.48	N/A N/A
	5" Channel Letter Raceway Cover	1976	24'-3"	41.82 <i>Cost per Foot</i> 1.72	N/A N/A
	5" Narrow Channel Letter Raceway Cover	1976N	24'-3"	27.35 <i>Cost per Foot</i> 1.13	N/A N/A
	8" Channel Letter Raceway Brace/Bracket	1979	12'-2"	21.81 <i>Cost per Foot</i> 1.79	N/A N/A
	5" Channel Letter Raceway Brace/Bracket	1974	12'-2"	21.81 <i>Cost per Foot</i> 1.79	N/A N/A
	5" Narrow Channel Letter Raceway Brace/Bracket	1974N	12'-2"	13.96 <i>Cost per Foot</i> 1.15	N/A N/A
	Channel Letter Raceway Mounting Clip	1989	12'-0"	22.78 <i>Cost per Foot</i> 1.90	N/A N/A
	Channel Letter Raceway Large Mounting Clip	1988	12'-0"	33.85 <i>Cost per Foot</i> 2.82	N/A N/A

Extrusions are available in full lengths only.

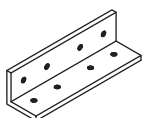


Extrusions Priced by the Length

Part	Part Number	Length	Mill Finish	Pre-painted
Edge Lit LED Profiles				
 Edge Lit LED 1/2 Round	1995	12'-2"	83.75 <i>Cost per Foot</i> 6.88	N/A N/A
 Edge Lit LED 1/4 Round	1996	12'-2"	68.64 <i>Cost per Foot</i> 5.64	N/A N/A
Socket Raceways				
 Large Socket Raceway	1983	24'-2"	46.18 <i>Cost per Foot</i> 1.91	N/A N/A
 Socket Raceway	1984	24'-2"	\$66.34 <i>Cost per Foot</i> 2.75	N/A N/A
 Socket Raceway II	1985	24'-2"	39.63 <i>Cost per Foot</i> 1.64	N/A N/A
 Socket Raceway Cover	1987	24'-2"	9.84 <i>Cost per Foot</i> 0.41	N/A N/A
Standard Moldings				
 1-3/8" L-Molding	1943	24'-5"	25.99 <i>Cost per Foot</i> 1.06	*34.21 1.40
 1" H-Molding	1945	24'-2"	23.71 <i>Cost per Foot</i> 0.98	31.22 1.29
 1" Z-Molding	1946	24'-2"	28.48 <i>Cost per Foot</i> 1.18	37.49 1.55
 1.5" Z-Molding	1947	24'-2"	42.23 <i>Cost per Foot</i> 1.75	54.81 2.27
Wall Frames				
 3/4" Wall Frame (Clear Anodized)	1948	24'-2"	49.11 <i>Cost per Foot</i> 2.03	N/A N/A
 1-3/8" Wall Frame (Clear Anodized)	1949	24'-2"	61.97 <i>Cost per Foot</i> 2.56	N/A N/A

*NOTE: 1-3/8" L-Molding is pre-painted matte black.

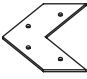
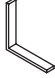
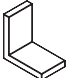
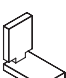
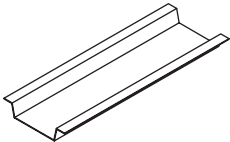
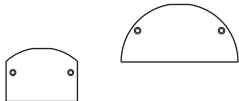
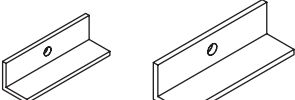
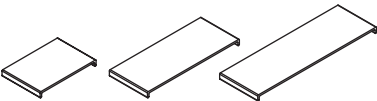
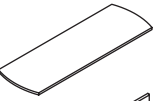
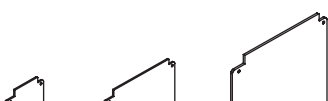
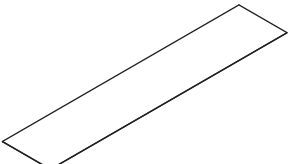
Standard System Accessories

Part	Part Number	Price Each
Components		
	1Part 2Part 12" Body Corner Angle 1-3/4" x 1-3/4" x 1/4" (9-5/16")	5977 \$5.22
	1Part 2Part 9" Body Corner Angle 1-3/4" x 1-3/4" x 1/4" (6-5/16")	5978 4.01
	1Part 2Part 8" S/F Body Corner Angle 1-3/4" x 1-3/4" x 1/4" (6-3/16")	5979 3.98
	1Part 2Part 6" S/F Body Corner Angle 1-3/4" x 1-3/4" x 1/4" (4-3/16")	5981 3.32

Extrusions are available in full lengths only.

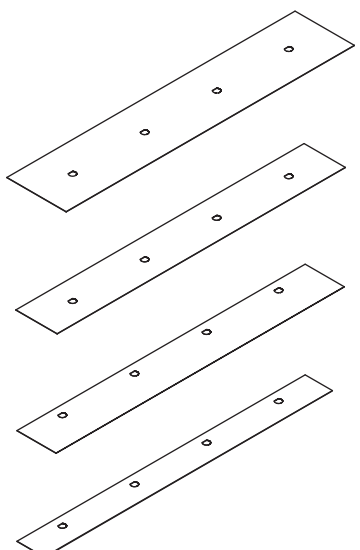
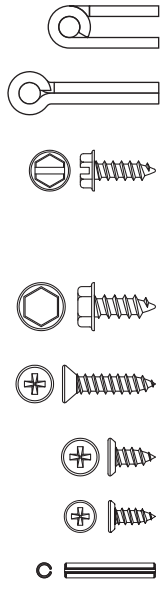
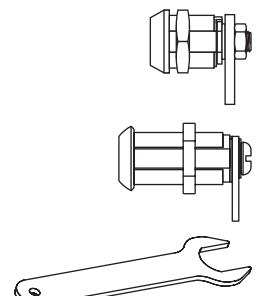


Standard System Accessories

	Part	Part Number	Price Each
Components (cont.)			
	Corner Key .120 Stamped Aluminum	5210	\$0.70
	2Part Outer Frame Corner Angle 2" x 2" x 1/8" (3/8")	5975	1.00
	Frame Corner Angle 1-3/4" x 1-3/4" x 1/4" (1-1/16")	5305	1.00
	Divider Corner Angle 1-3/4" x 1-3/4" x 1/4" (1-1/16") w/Notches	5300	1.24
	1Part 2Part 12" Body Ballast Pan 7-11/16" x 24" x .063	5970	15.27
	1Part 2Part 9" Body Ballast Pan 4-5/8" x 24" x .063	5971	13.36
	1Part 2Part 8" S/F Body Ballast Pan 4-5/8" x 24" x .063	5971	13.36
	1Part 2Part 6" S/F Body Ballast Pan 3-1/2" x 24" x .063	5969	11.84
	Edge Lit LED 1/2 Round Cap 3-1/4" x 1-9/16" x .090	5905	4.11
	Edge Lit LED 1/4 Round Cap 2-1/8" x 1-9/16" x .090	5903	4.11
	5" Channel Letter Raceway Lifting Bracket 1-3/4" x 1-3/4" x 1/4" (4-3/8")	5976-5"	3.13
	8" Channel Letter Raceway Lifting Bracket 1-3/4" x 1-3/4" x 1/4" (6")	5976-8"	3.52
	5" Channel Letter Raceway Brace/Bracket 2" x 4" x .090	5972-5"	1.42
	5" Narrow Channel Letter Raceway Brace/Bracket 2" x 4" x .090	5972N-5"	1.03
	8" Channel Letter Raceway Brace/Bracket 2" x 6" x .090	5972-8"	1.82
	8" 1 Piece Channel Letter Raceway Brace 2" x 6" x .090	5972(1PC)-8"	1.82
	Channel Letter Raceway 3" Mounting Clip	5989	1.07
	Channel Letter Raceway 3" Large Mounting Clip	5988	1.32
	5" Channel Letter Raceway End Cap 5-1/2" x 5-3/8" x .090	5987-5"	7.28
	5" Narrow Channel Letter Raceway End Cap 5-1/2" x 3-1/2" x .090	5987N-5"	6.29
	8" Channel Letter Raceway End Cap 8-1/2" x 7-1/4" x .090	5987-8"	9.06
	8" 1 Piece Channel Letter Raceway End Cap 8-1/2" x 7-1/4" x .090	5987(1PC)-8"	9.06
	1Part 2Part 12" Body Raceway Cover 9-7/8" x 48" x .040 (white) Blank	5984B-12"	13.55
	1Part 2Part 9" Body Raceway Cover 6-7/8" x 48" x .040 (white) Blank	5984B-9"	9.17
	1Part 2Part 8" S/F Body Raceway Cover 6-1/2" x 48" x .040 (white) Blank	5984B-8"	8.41
	1Part 2Part 6" S/F Body Raceway Cover 4-3/4" x 48" x .040 (white) Blank	5984B-6"	6.75



Standard System Accessories

	Part	Part Number	Price Each	
Components (cont.) 	1Part 2Part 12" Body Raceway Cover 9-7/8" x 48" x .040 (white) Pre-Punched 12" O/C	5984-12"	\$16.21	
	1Part 2Part 12" Body Raceway Cover 9-7/8" x 36" x .040 (white) Pre-Punched 12" O/C	5983-12"	14.21	
	1Part 2Part 12" Body Raceway Cover 9-7/8" x 24" x .040 (white) Pre-Punched 12" O/C	5982-12"	10.67	
	1Part 2Part 9" Body Raceway Cover 6-7/8" x 48" x .040 (white) Pre-Punched 12" O/C	5984-9"	12.80	
	1Part 2Part 9" Body Raceway Cover 6-7/8" x 36" x .040 (white) Pre-Punched 12" O/C	5983-9"	11.78	
	1Part 2Part 9" Body Raceway Cover 6-7/8" x 24" x .040 (white) Pre-Punched 12" O/C	5982-9"	8.97	
	1Part 2Part 8" S/F Body Raceway Cover 6-1/2" x 48" x .040 (white) Pre-Punched 12" O/C	5984-8"	12.25	
	1Part 2Part 8" S/F Body Raceway Cover 6-1/2" x 36" x .040 (white) Pre-Punched 12" O/C	5983-8"	11.36	
	1Part 2Part 8" S/F Body Raceway Cover 6-1/2" x 24" x .040 (white) Pre-Punched 12" O/C	5982-8"	8.69	
	1Part 2Part 6" S/F Body Raceway Cover 4-3/4" x 48" x .040 (white) Pre-Punched 12" O/C	5984-6"	10.38	
	1Part 2Part 6" S/F Body Raceway Cover 4-3/4" x 36" x .040 (white) Pre-Punched 12" O/C	5983-6"	9.69	
	1Part 2Part 6" S/F Body Raceway Cover 4-3/4" x 24" x .040 (white) Pre-Punched 12" O/C	5982-6"	7.79	
Hardware 	2Part Hinge 1-1/16" x 96" x .060 Aluminum Hinge	5996 5996P	13.66 24.58	
	2Part Large Hinge 1-1/2" x 96" x .063 Aluminum Hinge	5997 5997P	19.51 30.58	
	2Part Retainer Screw 2Part Extended Retainer Screw Raceway Cover Screw Raceway End Cap Screw #8 x 1/2" Coated Hex Washer Slotted Screw-Type A	5290 5290P	7.00/100 16.00/100	
	1Part/2Part Corner Angle Screw #10 x 1/2" Coated Hex Washer Screw-Type A	5218	17.00/100	
	2Part Extended Retainer Corner Screw Wall Frame Corner Screw #8 x 3/4" Counter Sunk Phillips Head Screw	5241	6.00/100	
	2Part Outer Frame Corner Angle Screw #8 x 3/8" Counter Sunk Phillips Head Screw	5990	6.00/100	
	LED Cap Screw #6 x 3/8" Counter Sunk Phillips Head Screw	5940	5.00/100	
	LED Spring Pin 3/32" x 5/8" stainless steel	5945	6.00/100	
	Locks 	2Part Lock	5994	8.41
		2Part Large Lock	5993	8.61
2Part Lock Wrench For use with 2Part Lock Part #5994		5992	6.92	

NOTE: Parts 5996P & 5997P are dark bronze anodized. Part 5290P is pre-painted dark bronze.

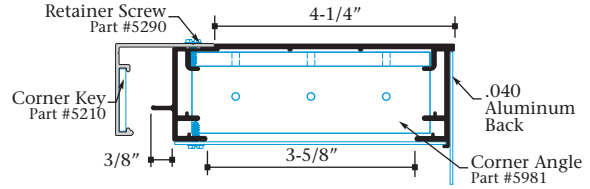


Standard System Specifications

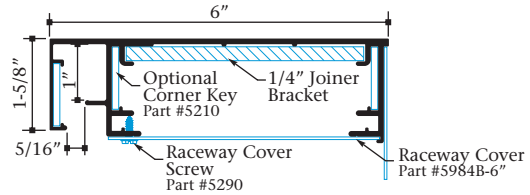
Sign Cabinet Body Extrusions

2Part 6" Single Face Body
Part #1926

2Part Retainer
Part #1944

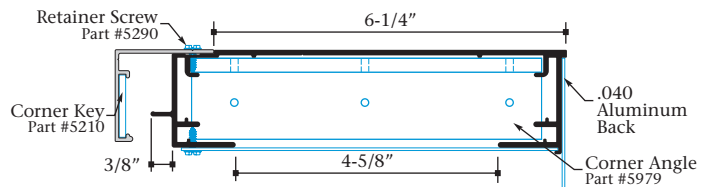


1Part 6" Single Face Body
Part #1921

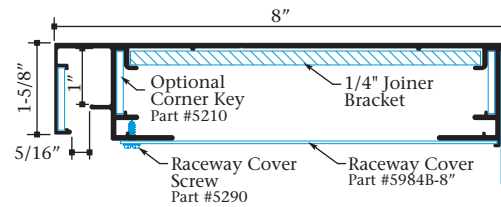


2Part 8" Single Face Body
Part #1927

2Part Retainer
Part #1944

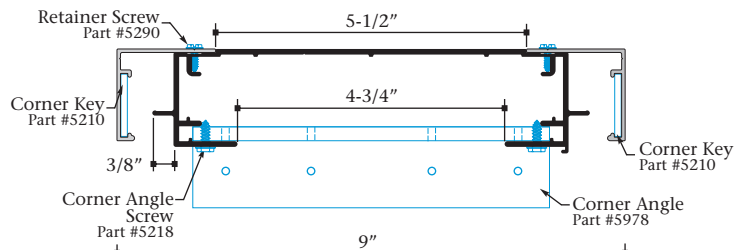


1Part 8" Single Face Body
Part #1922

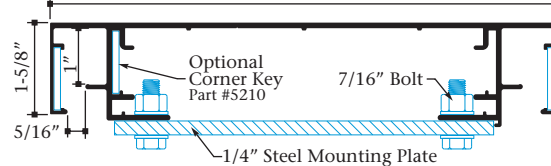


2Part 9" Double Face Body
Part #1928

2Part Retainer
Part #1944

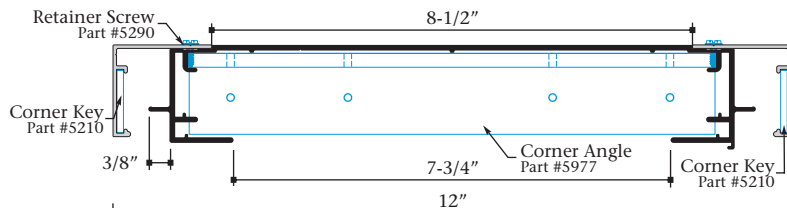


1Part 9" Double Face Body
Part #1923

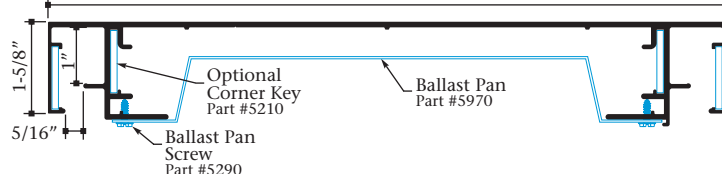


2Part 12" Double Face Body
Part #1929

2Part Retainer
Part #1944



1Part 12" Double Face Body
Part #1924



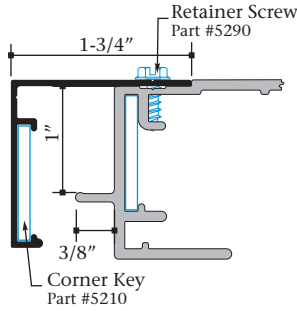
NOTE: It is recommended to cut bodies and retainers 1-3/4" over nominal T-12 lamp length to utilize .040 flat aluminum raceway covers.



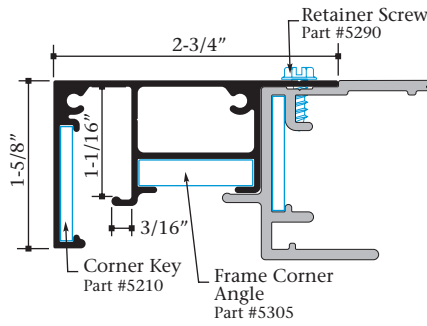
Standard System Specifications

Retainers

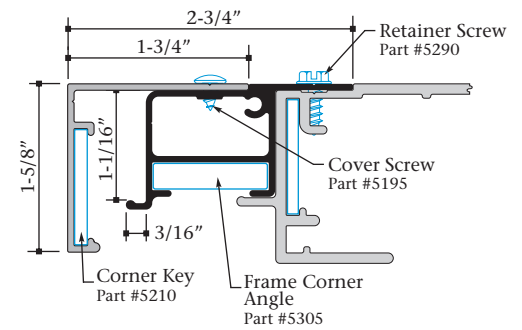
2Part Retainer
Part #1944



2Part Extended Retainer
Part #1940

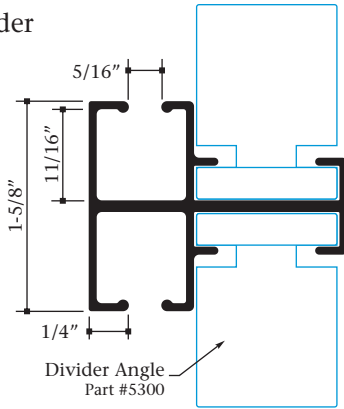


2Part Extended Frame/2Part Retainer
Part #1955 Part #1944

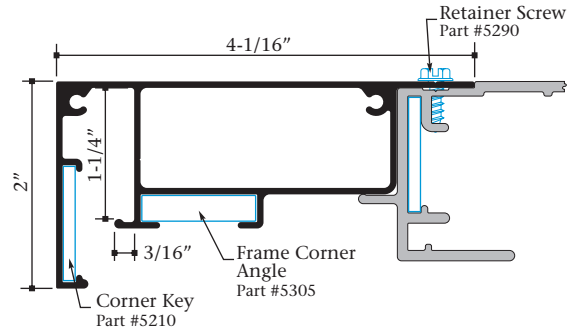


Dividers

2Part Divider
Part #1905

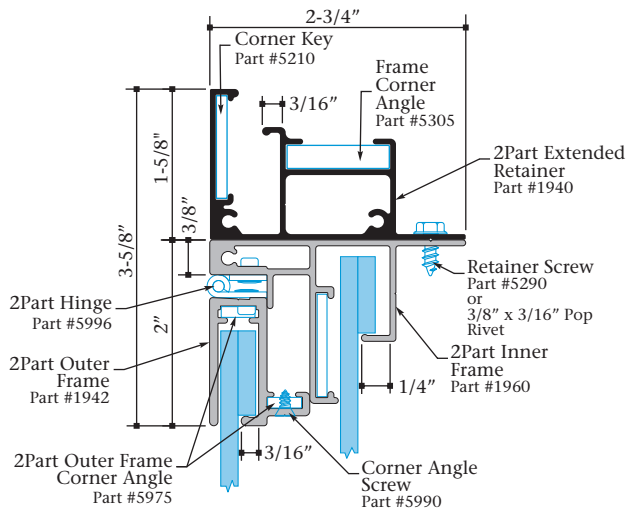


2Part Large Extended Retainer
Part #1939



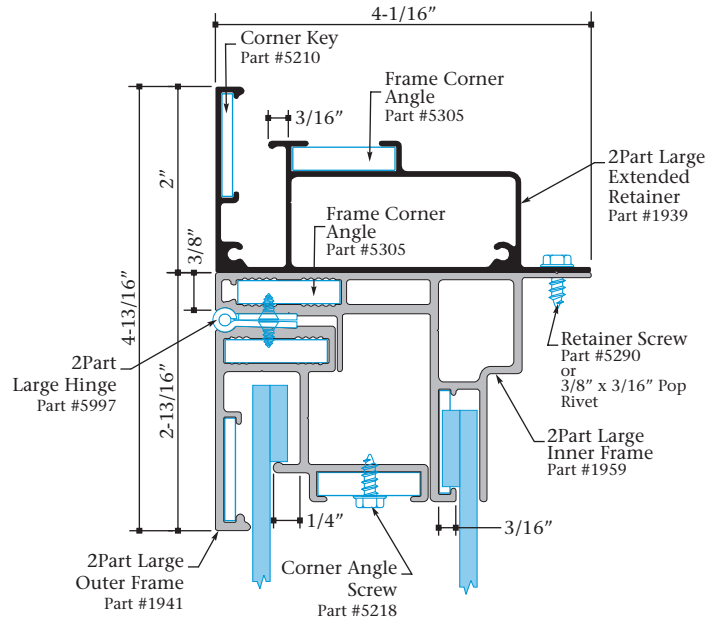
2Part Extended Retainer
Part #1940

2Part Vandal System
Parts #1960 and Part #1942



2Part Large Extended Retainer
Part #1939

2Part Large Vandal System
Parts #1959 and Part #1941



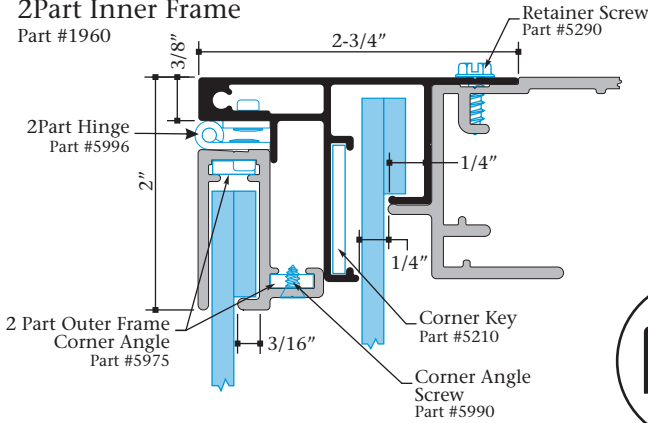
NOTE: It is recommended to use safety chains and prop-bars on hingeable faces.



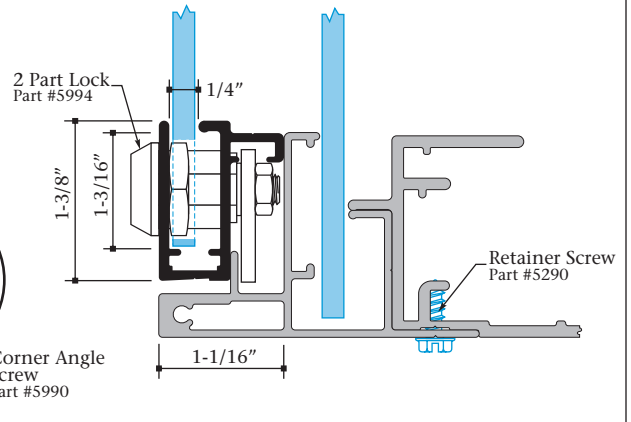
Standard System Specifications

Vandal Systems

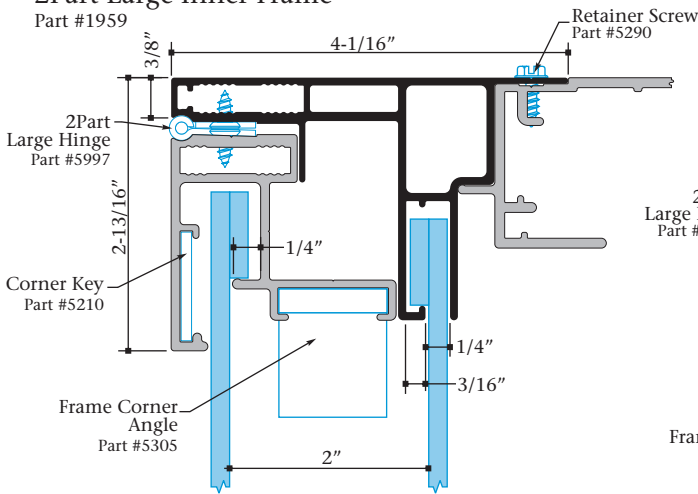
2Part Inner Frame
Part #1960



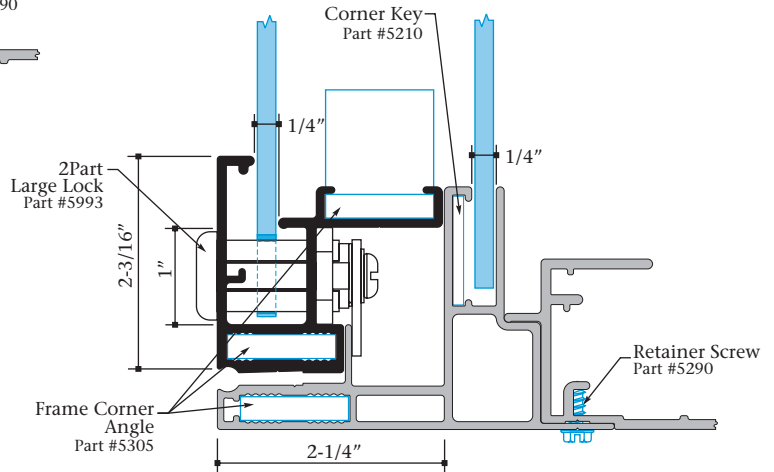
2Part Outer Frame with 2Part Lock
Part #1942 Part #5994



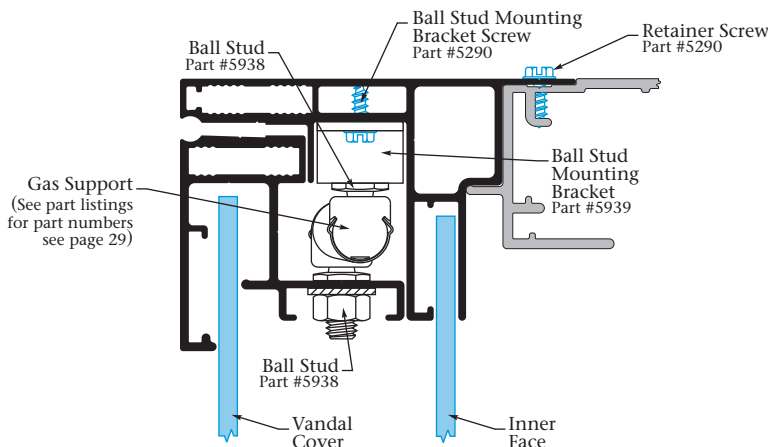
2Part Large Inner Frame
Part #1959



2Part Large Outer Frame with 2Part Large Lock
Part #1941 Part #5993



2Part Large Vandal System with Gas Support



NOTE:
The **Inner Frames** retain the inner face which is typically the translucent white face for a changeable copy system.

The **Outer Frames** retain the vandal cover or outer face which is typically a clear lens.

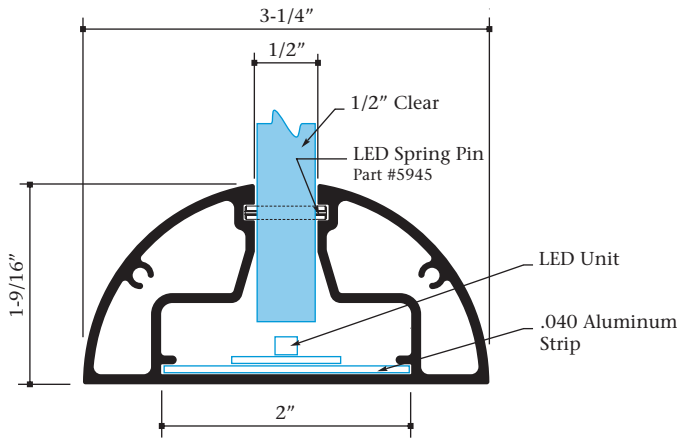
NOTE: It is recommended to use safety chains and prop-bars on hingeable faces.



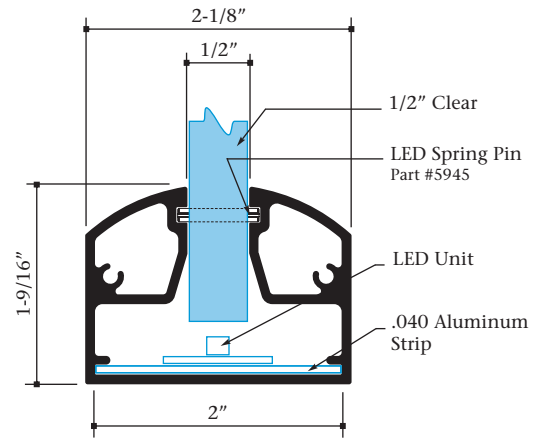
Standard System Specifications

Edge Lit LED Profiles

Edge Lit LED 1/2 Round
Part #1995

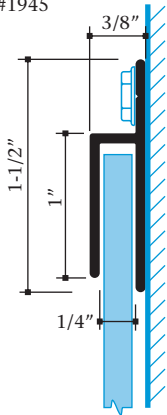


Edge Lit LED 1/4 Round
Part #1996

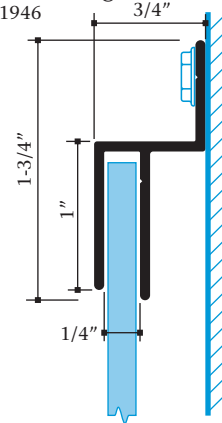


Moldings

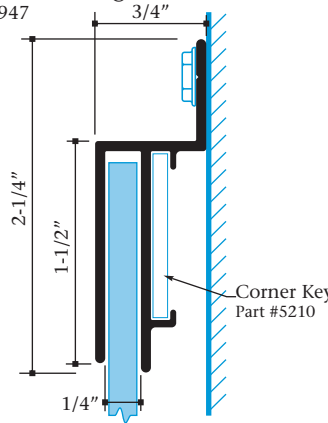
1" H-Molding
Part #1945



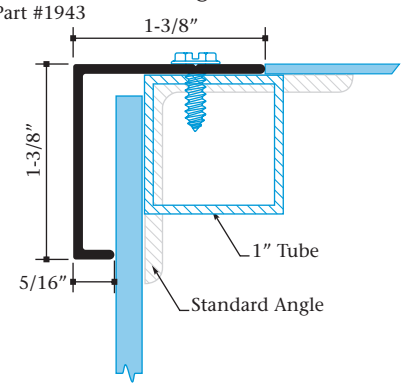
1" Z-Molding
Part #1946



1.5" Z-Molding
Part #1947

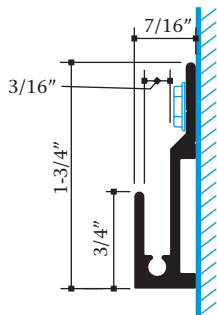


1-3/8" L-Molding
Part #1943

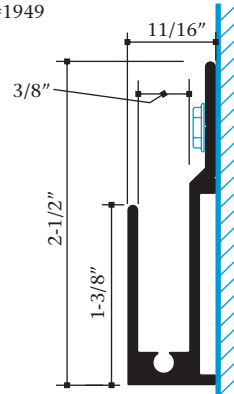


Wall Frames

3/4" Wall Frame
Part #1948

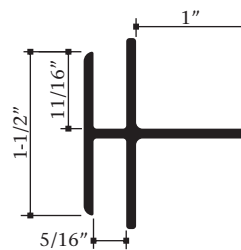


1-3/8" Wall Frame
Part #1949



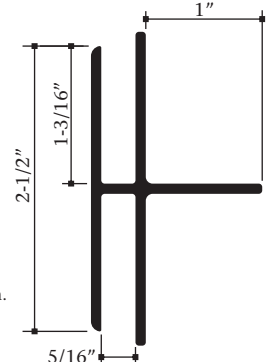
Standard Dividers

1-1/2" Divider
Part #1910



For use with fabricated angle construction.

2-1/2" Divider
Part #1920

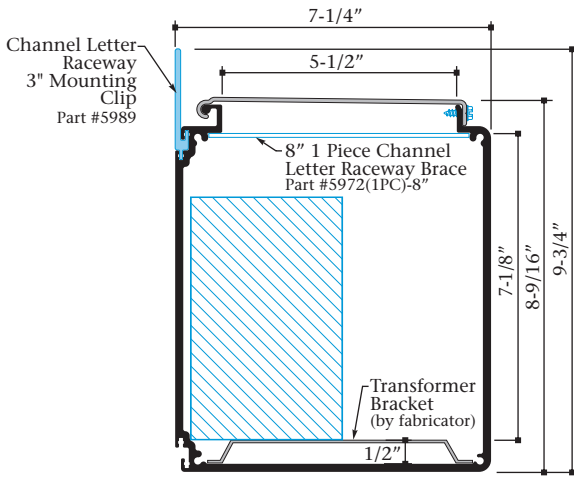




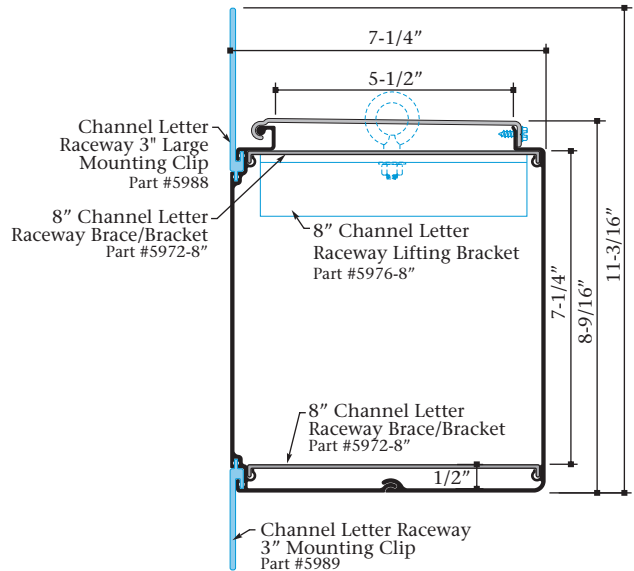
Standard System Specifications

Channel Letter Raceways

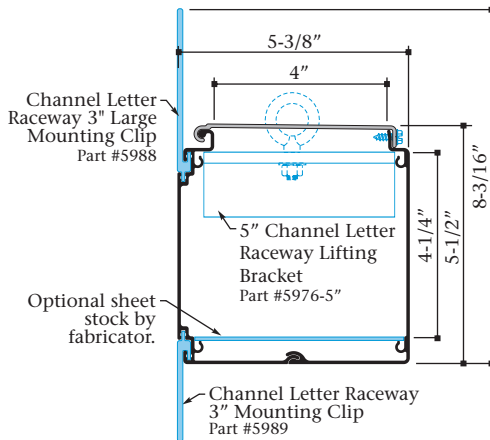
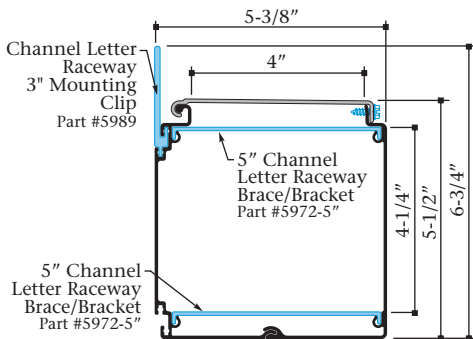
1 Piece 8" Channel Letter Raceway w/Raceway Cover
Part #1980



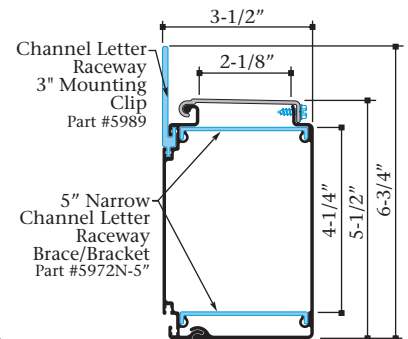
2 Piece 8" Channel Letter Raceway w/Raceway Cover
Part #1981 & 1982



2 Piece 5" Channel Letter Raceway w/Raceway Cover
Part #1971 & 1972

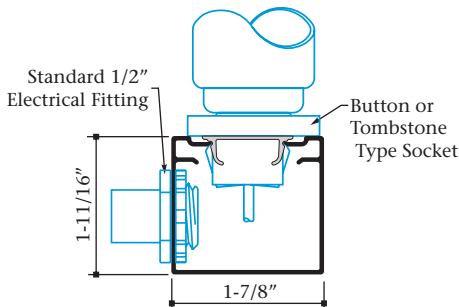


2 Piece 5" Narrow Channel Letter Raceway w/Raceway Cover
Part #1971 & 1972N Part #1976N

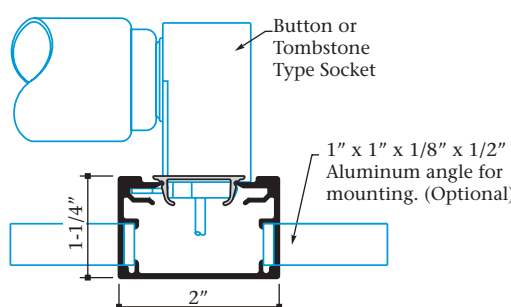


Socket Raceways

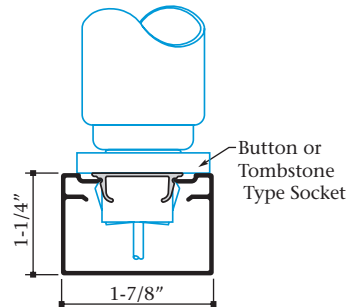
Large Socket Raceway
Part#1983
w/Socket Raceway Cover
Part #1987



Socket Raceway
Part#1984
w/Socket Raceway Cover
Part #1987



Socket Raceway II
Part#1985
w/Socket Raceway Cover
Part #1987





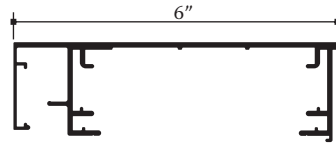
Unassembled 6" Single Face Kits

1Part 6" S/F Body and 2Part 6" S/F Body with 2Part Retainer

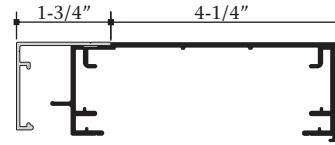
Part #1921

Part #1926

Part #1944



Top, Bottom & 1 Side



1 Side

Size HxW	Mill Finish	Pre Paint	Size HxW	Mill Finish	Pre Paint	Size HxW	Mill Finish	Pre Paint	Size HxW	Mill Finish	Pre Paint
2 x 3	\$110	\$149	4 x 4	\$167	\$228	6 x 6	\$244	\$337	8 x 14	\$450	\$623
2 x 4	131	179	4 x 5	188	257	6 x 7	266	367	8 x 15	472	653
2 x 5	152	208	4 x 6	210	287	6 x 8	288	396	8 x 16	493	682
2 x 6	173	238	4 x 7	230	317	6 x 9	309	426	8 x 17	516	712
2 x 7	196	268	4 x 8	251	346	6 x 10	331	456	8 x 18	536	740
2 x 8	217	296	4 x 9	273	376	6 x 11	351	485	8 x 19	557	770
2 x 9	238	326	4 x 10	295	407	6 x 12	372	515	8 x 20	579	800
2 x 10	259	355	4 x 11	317	435	6 x 13	394	544			
2 x 11	280	385	4 x 12	337	465	6 x 14	416	574	9 x 9	362	500
2 x 12	302	415	4 x 13	358	494	6 x 15	437	603	9 x 10	383	530
2 x 13	322	445	4 x 14	380	524	6 x 16	458	632	9 x 11	406	559
2 x 14	343	475	4 x 15	401	554	6 x 17	479	662	9 x 12	427	589
2 x 15	366	505	4 x 16	422	583	6 x 18	501	691	9 x 13	447	617
2 x 16	387	534	4 x 17	443	613	6 x 19	521	721	9 x 14	469	647
2 x 17	408	564	4 x 18	465	642	6 x 20	542	751	9 x 15	490	677
2 x 18	429	593	4 x 19	487	672				9 x 16	511	706
2 x 19	450	623	4 x 20	507	702	7 x 7	284	392	9 x 17	532	736
2 x 20	472	653				7 x 8	306	421	9 x 18	553	765
			5 x 5	207	281	7 x 9	327	450	9 x 19	576	795
3 x 3	128	173	5 x 6	228	311	7 x 10	348	480	9 x 20	597	826
3 x 4	149	203	5 x 7	248	341	7 x 11	369	509			
3 x 5	170	232	5 x 8	270	371	7 x 12	391	539	10 x 10	401	554
3 x 6	192	262	5 x 9	291	401	7 x 13	412	568	10 x 11	423	583
3 x 7	213	292	5 x 10	312	431	7 x 14	432	598	10 x 12	443	613
3 x 8	233	321	5 x 11	333	460	7 x 15	454	628	10 x 13	465	642
3 x 9	256	351	5 x 12	355	490	7 x 16	476	657	10 x 14	487	672
3 x 10	277	380	5 x 13	377	519	7 x 17	498	687	10 x 15	508	702
3 x 11	299	410	5 x 14	398	549	7 x 18	519	716	10 x 16	530	731
3 x 12	319	441	5 x 15	418	579	7 x 19	539	746	10 x 17	550	761
3 x 13	340	470	5 x 16	440	608	7 x 20	561	776	10 x 18	571	791
3 x 14	362	500	5 x 17	461	638				10 x 19	593	821
3 x 15	383	530	5 x 18	483	667	8 x 8	323	445	10 x 20	615	851
3 x 16	406	559	5 x 19	505	697	8 x 9	343	475			
3 x 17	426	589	5 x 20	525	727	8 x 10	366	505			
3 x 18	447	617				8 x 11	387	534			
3 x 19	469	647				8 x 12	409	564			
3 x 20	490	677				8 x 13	430	593			

Included in Sign Cabinet Kit Pricing:

- Mill finish or Pre-Painted.
- Three (3) pieces of cut to size and mitered 1Part 6" Single Face Body, Part #1921.
- One (1) piece of cut to size and mitered 2Part 6" Single Face Body, Part #1926.
- One (1) piece of cut to size and mitered 2Part Retainer, Part #1944.
- All screws required to assemble by mechanically fastening. Note: Raceway Cover Screws are not included.
- All Body Corner Angles and/or Corner Keys required.
- Packaging.

Not Included in Sign Cabinet Kit Pricing:

- Face and Back.
- Electrical Components.
- Back Braces and Gussets.
- Mounting Provisions.

Optional Accessories:

- Ballast Pan(s). See page 6
- Raceway Covers. See pages 6 & 7
- Divider Bar. See pages 4, 9 & 29

Kit Sizes and Availability:

- It is recommended to order kits 1-3/4" over nominal T-12 lamp size to utilize .040 flat Aluminum Raceway Covers.
- Custom size kits may be cut to any dimension.

Recommended Lamp Spacing:

- For flat plastic, illuminated backgrounds - 6" on center, using T-12 lamps.
- For pan formed faces use guideline for lamp spacing, see General Information on page 31.
- Always place lamps 3/4" from back of sign.

Cut To Size Divider:

- See options page 29

General Information:

- Finishes. See page 31
- Additional information. See page 31
- Cut to size and pre-cut kits are available locally through select sign supply distributors.



Unassembled 8" Single Face Kits

1Part 8" S/F Body and 2Part 8" S/F Body with 2Part Retainer



Size HxW	Mill Finish	Pre Paint	Size HxW	Mill Finish	Pre Paint	Size HxW	Mill Finish	Pre Paint	Size HxW	Mill Finish	Pre Paint
2 x 3	\$122	\$155	4 x 4	\$189	\$243	6 x 6	\$278	\$358	8 x 14	\$505	\$649
2 x 4	146	185	4 x 5	212	271	6 x 7	301	387	8 x 15	528	678
2 x 5	167	213	4 x 6	235	301	6 x 8	325	416	8 x 16	549	707
2 x 6	189	243	4 x 7	257	330	6 x 9	346	445	8 x 17	571	736
2 x 7	213	271	4 x 8	279	358	6 x 10	369	474	8 x 18	593	765
2 x 8	235	301	4 x 9	301	387	6 x 11	391	503	8 x 19	617	794
2 x 9	258	331	4 x 10	325	416	6 x 12	415	533	8 x 20	640	823
2 x 10	279	360	4 x 11	348	446	6 x 13	437	563			
2 x 11	303	388	4 x 12	369	475	6 x 14	459	591	9 x 9	413	532
2 x 12	325	417	4 x 13	392	505	6 x 15	482	621	9 x 10	437	561
2 x 13	348	446	4 x 14	415	533	6 x 16	505	649	9 x 11	459	590
2 x 14	370	475	4 x 15	438	563	6 x 17	527	678	9 x 12	480	618
2 x 15	392	505	4 x 16	460	591	6 x 18	550	707	9 x 13	505	647
2 x 16	416	533	4 x 17	482	621	6 x 19	572	736	9 x 14	526	677
2 x 17	438	564	4 x 18	506	651	6 x 20	594	766	9 x 15	549	707
2 x 18	460	593	4 x 19	528	679				9 x 16	571	736
2 x 19	483	622	4 x 20	550	708	7 x 7	324	416	9 x 17	593	765
2 x 20	506	651				7 x 8	346	445	9 x 18	617	794
			5 x 5	233	301	7 x 9	369	474	9 x 19	639	823
3 x 3	146	185	5 x 6	257	330	7 x 10	391	503	9 x 20	661	852
3 x 4	167	213	5 x 7	279	358	7 x 11	415	532			
3 x 5	189	243	5 x 8	301	387	7 x 12	436	561	10 x 10	458	590
3 x 6	212	271	5 x 9	325	416	7 x 13	459	591	10 x 11	480	618
3 x 7	235	301	5 x 10	347	445	7 x 14	482	621	10 x 12	505	647
3 x 8	257	330	5 x 11	369	475	7 x 15	505	649	10 x 13	526	677
3 x 9	279	358	5 x 12	392	505	7 x 16	527	678	10 x 14	549	706
3 x 10	303	388	5 x 13	415	533	7 x 17	549	707	10 x 15	570	736
3 x 11	325	417	5 x 14	438	563	7 x 18	572	736	10 x 16	593	765
3 x 12	348	446	5 x 15	459	591	7 x 19	594	765	10 x 17	617	794
3 x 13	369	475	5 x 16	482	621	7 x 20	617	794	10 x 18	639	823
3 x 14	392	505	5 x 17	506	649				10 x 19	661	852
3 x 15	416	533	5 x 18	528	678	8 x 8	368	474	10 x 20	683	881
3 x 16	438	563	5 x 19	550	708	8 x 9	391	503			
3 x 17	460	591	5 x 20	571	737	8 x 10	415	532			
3 x 18	482	622				8 x 11	436	561			
3 x 19	506	651				8 x 12	459	590			
3 x 20	529	679				8 x 13	481	618			

Included in Sign Cabinet Kit Pricing:

- Mill finish or Pre-Painted.
- Three (3) pieces of cut to size and mitered 1Part 8" Single Face Body, Part #1922.
- One (1) piece of cut to size and mitered 2Part 8" Single Face Body, Part #1927.
- One (1) piece of cut to size and mitered 2Part Retainer, Part #1944.
- All screws required to assemble by mechanically fastening. Note: Raceway Cover Screws are not included.
- All Body Corner Angles and/or Corner Keys required.
- Packaging.

Not Included in Sign Cabinet Kit Pricing:

- Face and Back.
- Electrical Components.
- Back Braces and Gussets.
- Mounting Provisions.

Optional Accessories:

- Ballast Pan(s). See page 6
- Raceway Covers. See pages 6 & 7
- Divider Bar. See pages 4, 9 & 29

Kit Sizes and Availability:

- It is recommended to order kits 1-3/4" over nominal T-12 lamp size to utilize .040 flat Aluminum Raceway Covers.
- Custom size kits may be cut to any dimension.

Recommended Lamp Spacing:

- For flat plastic, illuminated backgrounds - 10" on center, using T-12 lamps.
- For pan formed faces use guideline for lamp spacing, see General Information on page 31.
- Always place lamps 3/4" from back of sign.

Cut To Size Divider:

- See options page 29

General Information:

- Finishes. See page 31
- Additional information. See page 31
- Cut to size and pre-cut kits are available locally through select sign supply distributors.



Unassembled 9" Double Face Kits

1Part 9" D/F Body and 2Part 9" D/F Body with 2Part Retainer											
Part #1923			Part #1928			Part #1944					
<p>9"</p> <p>Top, Bottom & 1 Side</p>						<p>1-3/4" 5-1/2" 1-3/4"</p> <p>1 Side</p>					
Size HxW	Mill Finish	Pre Paint	Size HxW	Mill Finish	Pre Paint	Size HxW	Mill Finish	Pre Paint	Size HxW	Mill Finish	Pre Paint
2 x 3	\$142	\$173	4 x 4	\$219	\$270	6 x 6	\$323	\$397	8 x 14	\$582	\$719
2 x 4	169	205	4 x 5	246	302	6 x 7	349	429	8 x 15	608	751
2 x 5	196	239	4 x 6	272	335	6 x 8	373	462	8 x 16	633	784
2 x 6	220	270	4 x 7	297	366	6 x 9	401	493	8 x 17	660	814
2 x 7	248	303	4 x 8	325	399	6 x 10	427	526	8 x 18	686	847
2 x 8	273	335	4 x 9	350	431	6 x 11	453	559	8 x 19	712	880
2 x 9	299	368	4 x 10	377	464	6 x 12	479	591	8 x 20	738	913
2 x 10	325	399	4 x 11	401	494	6 x 13	506	623			
2 x 11	351	432	4 x 12	428	528	6 x 14	531	656	9 x 9	477	589
2 x 12	378	464	4 x 13	454	560	6 x 15	556	688	9 x 10	505	622
2 x 13	402	495	4 x 14	479	593	6 x 16	583	720	9 x 11	530	654
2 x 14	429	528	4 x 15	507	624	6 x 17	609	752	9 x 12	555	686
2 x 15	456	561	4 x 16	532	657	6 x 18	636	785	9 x 13	581	717
2 x 16	480	593	4 x 17	557	689	6 x 19	661	815	9 x 14	608	751
2 x 17	507	625	4 x 18	585	721	6 x 20	688	850	9 x 15	633	782
2 x 18	533	657	4 x 19	610	753				9 x 16	659	814
2 x 19	560	690	4 x 20	637	786	7 x 7	373	461	9 x 17	686	846
2 x 20	585	721				7 x 8	400	493	9 x 18	712	880
			5 x 5	272	334	7 x 9	427	525	9 x 19	737	911
3 x 3	168	205	5 x 6	297	366	7 x 10	453	559	9 x 20	765	944
3 x 4	196	238	5 x 7	323	397	7 x 11	478	590			
3 x 5	220	270	5 x 8	350	431	7 x 12	505	623	10 x 10	530	654
3 x 6	246	302	5 x 9	377	462	7 x 13	531	655	10 x 11	555	684
3 x 7	272	335	5 x 10	401	494	7 x 14	556	688	10 x 12	581	717
3 x 8	299	366	5 x 11	427	526	7 x 15	582	719	10 x 13	607	749
3 x 9	325	399	5 x 12	454	560	7 x 16	609	752	10 x 14	633	782
3 x 10	350	432	5 x 13	479	591	7 x 17	636	784	10 x 15	659	813
3 x 11	378	464	5 x 14	506	624	7 x 18	660	815	10 x 16	685	846
3 x 12	402	495	5 x 15	532	656	7 x 19	686	847	10 x 17	712	878
3 x 13	428	528	5 x 16	557	689	7 x 20	713	881	10 x 18	737	911
3 x 14	454	561	5 x 17	583	720				10 x 19	763	943
3 x 15	480	593	5 x 18	609	753	8 x 8	426	525	10 x 20	789	976
3 x 16	507	625	5 x 19	637	785	8 x 9	452	557			
3 x 17	532	657	5 x 20	661	817	8 x 10	478	590			
3 x 18	560	690				8 x 11	505	622			
3 x 19	585	721				8 x 12	530	655			
3 x 20	610	754				8 x 13	556	686			

Included in Sign Cabinet Kit Pricing:

- Mill finish or Pre-Painted.
- Three (3) pieces of cut to size and mitered 1Part 9" Double Face Body, Part #1923.
- One (1) piece of cut to size and mitered 2Part 9" Double Face Body, Part #1928.
- Two (2) pieces of cut to size and mitered 2Part Retainer, Part #1944.
- All screws required to assemble by mechanically fastening. Note: Raceway Cover Screws are not included.
- All Body Corner Angles and/or Corner Keys required.
- Packaging.

Not Included in Sign Cabinet Kit Pricing:

- Faces.
- Electrical Components.
- Internal Supports.

Optional Accessories:

- Ballast Pan(s). See page 6
- Raceway Covers. See pages 6 & 7
- Divider Bar. See pages 4, 9 & 29

Kit Sizes and Availability:

- It is recommended to order kits 1-3/4" over nominal T-12 lamp size to utilize .040 flat Aluminum Raceway Covers.
- Custom size kits may be cut to any dimension.

Recommended Lamp Spacing:

- For flat plastic, illuminated backgrounds - 7" on center, using T-12 lamps.
- For pan formed faces use guideline for lamp spacing, see General Information on page 31.

Cut To Size Divider:

- See options page 29

General Information:

- Finishes. See page 31
- Additional information. See page 31
- Cut to size and pre-cut kits are available locally through select sign supply distributors.



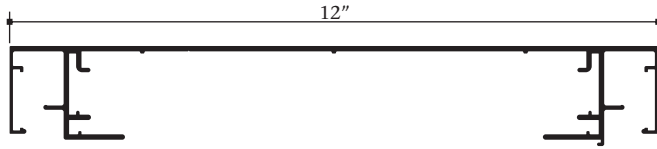
Unassembled 12" Double Face Kits

1Part 12" D/F Body and 2Part 12" D/F Body with 2Part Retainer

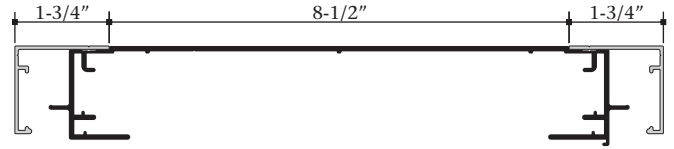
Part #1924

Part #1929

Part #1944



Top, Bottom & 1 Side



1 Side

Size HxW	Mill Finish	Pre Paint	Size HxW	Mill Finish	Pre Paint	Size HxW	Mill Finish	Pre Paint	Size HxW	Mill Finish	Pre Paint
2 x 3	\$163	\$207	4 x 4	\$251	\$321	6 x 6	\$370	\$475	8 x 14	\$670	\$861
2 x 4	193	245	4 x 5	280	360	6 x 7	400	514	8 x 15	699	900
2 x 5	223	285	4 x 6	311	399	6 x 8	429	551	8 x 16	729	938
2 x 6	253	322	4 x 7	341	437	6 x 9	460	591	8 x 17	759	977
2 x 7	281	361	4 x 8	371	476	6 x 10	490	629	8 x 18	789	1015
2 x 8	312	400	4 x 9	401	515	6 x 11	520	670	8 x 19	820	1055
2 x 9	342	438	4 x 10	431	554	6 x 12	550	707	8 x 20	849	1092
2 x 10	371	477	4 x 11	461	593	6 x 13	580	747			
2 x 11	402	516	4 x 12	491	631	6 x 14	610	785	9 x 9	549	706
2 x 12	432	556	4 x 13	521	671	6 x 15	640	823	9 x 10	579	745
2 x 13	462	594	4 x 14	551	708	6 x 16	671	862	9 x 11	608	782
2 x 14	492	632	4 x 15	581	748	6 x 17	700	901	9 x 12	639	822
2 x 15	521	672	4 x 16	611	786	6 x 18	730	941	9 x 13	668	860
2 x 16	552	710	4 x 17	641	825	6 x 19	761	978	9 x 14	699	900
2 x 17	582	749	4 x 18	671	862	6 x 20	790	1018	9 x 15	729	937
2 x 18	612	788	4 x 19	701	902				9 x 16	758	977
2 x 19	642	827	4 x 20	731	942	7 x 7	429	551	9 x 17	789	1015
2 x 20	672	865				7 x 8	459	590	9 x 18	819	1053
			5 x 5	310	397	7 x 9	490	629	9 x 19	847	1092
3 x 3	193	245	5 x 6	341	437	7 x 10	519	667	9 x 20	878	1131
3 x 4	221	284	5 x 7	370	475	7 x 11	549	707			
3 x 5	251	322	5 x 8	400	515	7 x 12	580	746	10 x 10	608	782
3 x 6	281	361	5 x 9	431	552	7 x 13	609	784	10 x 11	638	821
3 x 7	311	399	5 x 10	460	591	7 x 14	640	823	10 x 12	668	860
3 x 8	342	438	5 x 11	491	631	7 x 15	670	861	10 x 13	698	899
3 x 9	371	476	5 x 12	520	670	7 x 16	699	901	10 x 14	728	937
3 x 10	401	516	5 x 13	550	708	7 x 17	730	938	10 x 15	758	976
3 x 11	432	554	5 x 14	581	747	7 x 18	759	978	10 x 16	788	1014
3 x 12	461	593	5 x 15	610	786	7 x 19	790	1017	10 x 17	819	1053
3 x 13	492	632	5 x 16	641	825	7 x 20	820	1055	10 x 18	847	1091
3 x 14	521	671	5 x 17	671	862				10 x 19	877	1131
3 x 15	551	710	5 x 18	700	902	8 x 8	489	628	10 x 20	908	1170
3 x 16	582	748	5 x 19	731	941	8 x 9	519	667			
3 x 17	611	788	5 x 20	761	979	8 x 10	549	706			
3 x 18	642	826				8 x 11	579	746			
3 x 19	672	863				8 x 12	609	784			
3 x 20	701	903				8 x 13	639	822			

Included in Sign Cabinet Kit Pricing:

- Mill finish or Pre-Painted.
- Three (3) pieces of cut to size and mitered 1Part 12" Double Face Body, Part #1924.
- One (1) piece of cut to size and mitered 2Part 12" Double Face Body, Part #1929.
- Two (2) pieces of cut to size and mitered 2Part Retainer, Part #1944.
- All screws required to assemble by mechanically fastening. Note: Raceway Cover Screws are not included.
- All Body Corner Angles and/or Corner Keys required.
- Packaging.

Not Included in Sign Cabinet Kit Pricing:

- Faces.
- Electrical Components.
- Internal Supports.

Optional Accessories:

- Ballast Pan(s). See page 6
- Raceway Covers. See pages 6 & 7
- Divider Bar. See pages 4, 9 & 29

Kit Sizes and Availability:

- It is recommended to order kits 1-3/4" over nominal T-12 lamp size to utilize .040 flat Aluminum Raceway Covers.
- Custom size kits may be cut to any dimension.

Recommended Lamp Spacing:

- For flat plastic, illuminated backgrounds - 9" on center, using T-12 lamps.
- For pan formed faces use guideline for lamp spacing, see General Information on page 31.

Cut To Size Divider:

- See options page 29

General Information:

- Finishes. See page 31
- Additional information. See page 31
- Cut to size and pre-cut kits are available locally through select sign supply distributors.



Unassembled 7" Single Face Kits

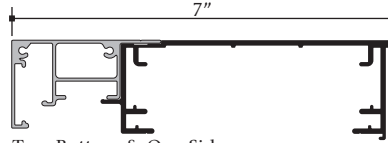
2Part 6" S/F Body with 2Part Extended Retainer

Part #1926

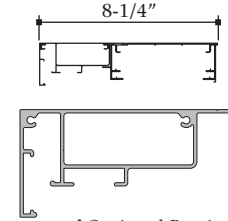
Part #1940



One Side
2Part Extended Frame, Part #1955
and 2Part Retainer, Part #1944



Top, Bottom & One Side



*Optional Retainer
2Part Large Extended Retainer,
Part #1939

Size HxW	Mill Finish	Pre Paint	Size HxW	Mill Finish	Pre Paint	Size HxW	Mill Finish	Pre Paint	Size HxW	Mill Finish	Pre Paint
2 x 3	\$138	\$187	4 x 4	\$212	\$289	6 x 6	\$311	\$427	8 x 14	\$559	\$769
2 x 4	163	221	4 x 5	238	323	6 x 7	337	461	8 x 15	583	804
2 x 5	188	255	4 x 6	262	358	6 x 8	361	495	8 x 16	608	838
2 x 6	212	289	4 x 7	287	393	6 x 9	386	530	8 x 17	632	872
2 x 7	238	323	4 x 8	311	427	6 x 10	410	564	8 x 18	658	907
2 x 8	261	358	4 x 9	336	461	6 x 11	435	598	8 x 19	682	942
2 x 9	287	393	4 x 10	361	494	6 x 12	460	632	8 x 20	707	976
2 x 10	311	427	4 x 11	386	530	6 x 13	484	667			
2 x 11	336	460	4 x 12	410	564	6 x 14	509	702	9 x 9	460	632
2 x 12	361	494	4 x 13	435	598	6 x 15	533	735	9 x 10	484	667
2 x 13	385	530	4 x 14	459	632	6 x 16	559	769	9 x 11	509	702
2 x 14	410	564	4 x 15	484	667	6 x 17	583	804	9 x 12	535	736
2 x 15	435	598	4 x 16	509	700	6 x 18	608	838	9 x 13	559	770
2 x 16	459	632	4 x 17	533	735	6 x 19	632	872	9 x 14	583	804
2 x 17	484	666	4 x 18	559	769	6 x 20	657	907	9 x 15	608	838
2 x 18	508	700	4 x 19	582	804				9 x 16	632	872
2 x 19	533	735	4 x 20	608	838	7 x 7	361	495	9 x 17	658	907
2 x 20	559	769				7 x 8	386	531	9 x 18	682	942
			5 x 5	262	358	7 x 9	410	564	9 x 19	707	976
3 x 3	163	221	5 x 6	287	393	7 x 10	435	598	9 x 20	731	1009
3 x 4	188	255	5 x 7	311	427	7 x 11	460	632			
3 x 5	212	289	5 x 8	337	461	7 x 12	484	667	10 x 10	509	702
3 x 6	238	323	5 x 9	361	495	7 x 13	509	702	10 x 11	535	736
3 x 7	262	358	5 x 10	386	530	7 x 14	533	736	10 x 12	559	770
3 x 8	287	393	5 x 11	410	564	7 x 15	559	769	10 x 13	583	805
3 x 9	311	427	5 x 12	435	598	7 x 16	583	804	10 x 14	609	838
3 x 10	336	460	5 x 13	459	632	7 x 17	608	838	10 x 15	632	872
3 x 11	361	494	5 x 14	484	667	7 x 18	632	872	10 x 16	658	907
3 x 12	386	530	5 x 15	509	702	7 x 19	657	907	10 x 17	682	942
3 x 13	410	564	5 x 16	533	735	7 x 20	682	942	10 x 18	707	976
3 x 14	435	598	5 x 17	559	769				10 x 19	732	1010
3 x 15	459	632	5 x 18	582	804	8 x 8	411	564	10 x 20	756	1043
3 x 16	484	667	5 x 19	608	838	8 x 9	435	598			
3 x 17	508	700	5 x 20	632	872	8 x 10	460	632			
3 x 18	533	735				8 x 11	484	667			
3 x 19	559	769				8 x 12	509	702			
3 x 20	582	804				8 x 13	535	736			

Included in Sign Cabinet Kit Pricing:

- One vertical side will be 2Part Extended Frame with 2Part Retainer to allow the face to slide in and out.
- Mill finish or Pre-Painted.
- Four (4) pieces of cut to size and mitered 2Part 6" Single Face Body, Part #1926.
- Three (3) pieces of cut to size and mitered 2Part Extended Retainer, Part #1940.
- One (1) piece of cut to size and mitered 2Part Extended Frame, Part #1955 and 2Part Retainer, Part #1944.
- All screws required to assemble by mechanically fastening. Note: Raceway Cover Screws are not included.
- All Body Corner Angles and/or Corner Keys required.
- Packaging.

Not Included in Sign Cabinet Kit Pricing:

- Face and Back.
- Electrical Components.
- Back Braces and Gussets.
- Mounting Provisions

Optional Accessories:

- Ballast Pan(s). See page 6
- Raceway Covers. See pages 6 & 7
- Divider Bar. See pages 4, 9 & 29

Kit Sizes and Availability:

- It is recommended to order kits 1-3/4" over nominal T-12 lamp size to utilize .040 flat Aluminum Raceway Covers.
- Custom size kits may be cut to any dimension.

Recommended Lamp Spacing:

- For flat plastic, illuminated backgrounds - 8" on center for Part #1940 and 10" on center for Part #1939, using T-12 lamps.
- For pan formed faces use guideline for lamp spacing, see General Information on page 29.
- Always place lamps 3/4" from back of sign.

Cut To Size Divider:

- See options page 29

General Information:

- Finishes. See page 31
- Additional information. See page 31
- Cut to size and pre-cut kits are available locally through select sign supply distributors.

*** Optional Retainer:**

- Add \$1.18 Mill Finish - \$1.50 Pre-painted, per perimeter foot per face for 2Part Large Extended Retainer part #1939.

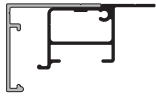


Unassembled 9" Single Face Kits

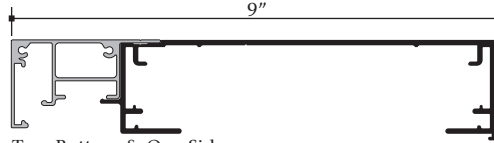
2Part 8" S/F Body with 2Part Extended Retainer

Part #1927

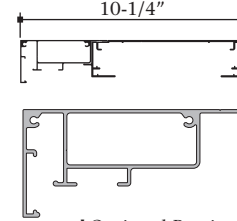
Part #1940



One Side
2Part Extended Frame, Part #1955
and 2Part Retainer, Part #1944



Top, Bottom & One Side



*Optional Retainer
2Part Large Extended Retainer,
Part #1939

Size HxW	Mill Finish	Pre Paint	Size HxW	Mill Finish	Pre Paint	Size HxW	Mill Finish	Pre Paint	Size HxW	Mill Finish	Pre Paint
2 x 3	\$149	\$189	4 x 4	\$231	\$295	6 x 6	\$340	\$435	8 x 14	\$610	\$788
2 x 4	178	225	4 x 5	258	331	6 x 7	367	471	8 x 15	639	823
2 x 5	203	261	4 x 6	286	366	6 x 8	393	507	8 x 16	666	859
2 x 6	231	295	4 x 7	311	400	6 x 9	421	541	8 x 17	692	895
2 x 7	258	331	4 x 8	340	435	6 x 10	447	577	8 x 18	719	928
2 x 8	286	366	4 x 9	367	471	6 x 11	475	613	8 x 19	747	963
2 x 9	311	400	4 x 10	393	507	6 x 12	502	647	8 x 20	773	999
2 x 10	340	435	4 x 11	421	541	6 x 13	530	682			
2 x 11	367	471	4 x 12	447	577	6 x 14	556	717	9 x 9	502	647
2 x 12	393	507	4 x 13	475	613	6 x 15	583	753	9 x 10	530	682
2 x 13	421	541	4 x 14	502	647	6 x 16	610	788	9 x 11	556	717
2 x 14	447	577	4 x 15	530	682	6 x 17	639	823	9 x 12	583	753
2 x 15	475	613	4 x 16	556	717	6 x 18	666	859	9 x 13	610	788
2 x 16	502	647	4 x 17	583	753	6 x 19	692	895	9 x 14	639	823
2 x 17	530	682	4 x 18	610	788	6 x 20	719	928	9 x 15	666	859
2 x 18	556	717	4 x 19	639	823				9 x 16	692	895
2 x 19	583	753	4 x 20	666	859	7 x 7	393	507	9 x 17	719	928
2 x 20	610	788				7 x 8	421	541	9 x 18	747	963
						7 x 9	447	577	9 x 19	773	999
						7 x 10	475	613	9 x 20	801	1035
						7 x 11	502	647			
						7 x 12	530	682	10 x 10	556	717
						7 x 13	556	717	10 x 11	583	753
						7 x 14	583	753	10 x 12	610	788
						7 x 15	610	788	10 x 13	639	823
						7 x 16	639	823	10 x 14	666	859
						7 x 17	666	859	10 x 15	692	895
						7 x 18	692	895	10 x 16	719	928
						7 x 19	719	928	10 x 17	747	963
						7 x 20	747	963	10 x 18	773	999
									10 x 19	801	1035
									10 x 20	828	1069
						8 x 8	447	577			
						8 x 9	475	613			
						8 x 10	502	647			
						8 x 11	530	682			
						8 x 12	556	717			
						8 x 13	583	753			

Included in Sign Cabinet Kit Pricing:

- One vertical side will be 2Part Extended Frame with 2Part Retainer to allow the face to slide in and out.
- Mill finish or Pre-Painted.
- Four (4) pieces of cut to size and mitered 2Part 8" Single Face Body, Part #1927.
- Three (3) pieces of cut to size and mitered 2Part Extended Retainer, Part #1940.
- One (1) piece of cut to size and mitered 2Part Extended Frame, Part #1955 and 2Part Retainer, Part #1944.
- All screws required to assemble by mechanically fastening. Note: Raceway Cover Screws are not included.
- All Body Corner Angles and/or Corner Keys required.
- Packaging.

Not Included in Sign Cabinet Kit Pricing:

- Face and Back. • Mounting Provisions
- Electrical Components.
- Back Braces and Gussets.

Optional Accessories:

- Ballast Pan(s). See page 6
- Raceway Covers. See pages 6 & 7
- Divider Bar. See pages 4, 9 & 29

Kit Sizes and Availability:

- It is recommended to order kits 1-3/4" over nominal T-12 lamp size to utilize .040 flat Aluminum Raceway Covers.
- Custom size kits may be cut to any dimension.

Recommended Lamp Spacing:

- For flat plastic, illuminated backgrounds - 12" on center, using T-12 lamps.
- For pan formed faces use guideline for lamp spacing, see General Information on page 31.
- Always place lamps 3/4" from back of sign.

Cut To Size Divider:

- See options page 29

General Information:

- Finishes. See page 31
- Additional information. See page 31
- Cut to size and pre-cut kits are available locally through select sign supply distributors.

*** Optional Retainer:**

- Add \$1.18 Mill Finish - \$1.50 Pre-painted, per perimeter foot per face for 2Part Large Extended Retainer part #1939.

*** Optional Retro (Retainer Only)**

- Deduct \$6.78 Mill Finish - \$8.82 Pre-painted, per perimeter foot per face.

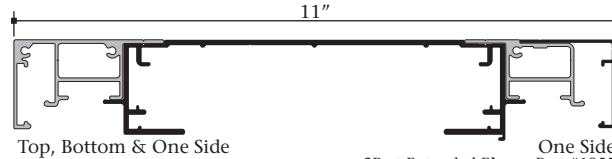


Unassembled 11" Double Face Kits

2Part 9" D/F Body with 2Part Extended Retainer

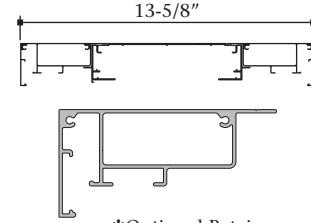
Part #1928

Part #1940



Top, Bottom & One Side

One Side
2Part Extended Frame, Part #1955
and 2Part Retainer, Part #1944



*Optional Retainer
2Part Large Extended Retainer,
Part #1939

Size HxW	Mill Finish	Pre Paint	Size HxW	Mill Finish	Pre Paint	Size HxW	Mill Finish	Pre Paint	Size HxW	Mill Finish	Pre Paint
2 x 3	\$198	\$249	4 x 4	\$303	\$387	6 x 6	\$443	\$569	8 x 14	\$795	\$1027
2 x 4	232	296	4 x 5	338	433	6 x 7	478	616	8 x 15	830	1073
2 x 5	269	342	4 x 6	372	478	6 x 8	514	662	8 x 16	866	1120
2 x 6	303	387	4 x 7	408	524	6 x 9	549	707	8 x 17	901	1164
2 x 7	338	433	4 x 8	443	569	6 x 10	585	753	8 x 18	936	1209
2 x 8	372	478	4 x 9	478	616	6 x 11	620	798	8 x 19	972	1256
2 x 9	408	524	4 x 10	514	662	6 x 12	656	844	8 x 20	1007	1302
2 x 10	443	569	4 x 11	549	707	6 x 13	690	889			
2 x 11	478	616	4 x 12	585	753	6 x 14	727	936	9 x 9	656	844
2 x 12	514	662	4 x 13	620	798	6 x 15	761	982	9 x 10	690	889
2 x 13	549	707	4 x 14	656	844	6 x 16	795	1027	9 x 11	727	936
2 x 14	585	753	4 x 15	690	889	6 x 17	830	1073	9 x 12	761	982
2 x 15	620	798	4 x 16	727	936	6 x 18	866	1120	9 x 13	795	1027
2 x 16	656	844	4 x 17	761	982	6 x 19	901	1164	9 x 14	830	1073
2 x 17	690	889	4 x 18	795	1027	6 x 20	936	1209	9 x 15	866	1120
2 x 18	727	936	4 x 19	830	1073				9 x 16	901	1164
2 x 19	761	982	4 x 20	866	1120	7 x 7	514	662	9 x 17	936	1209
2 x 20	795	1027				7 x 8	549	707	9 x 18	972	1256
			5 x 5	372	478	7 x 9	585	753	9 x 19	1007	1302
			5 x 6	408	524	7 x 10	620	798	9 x 20	1042	1347
			5 x 7	443	569	7 x 11	656	844			
3 x 3	232	296	5 x 8	478	616	7 x 12	690	889	10 x 10	727	936
3 x 4	269	342	5 x 9	514	662	7 x 13	727	936	10 x 11	761	982
3 x 5	303	387	5 x 10	549	707	7 x 14	761	982	10 x 12	795	1027
3 x 6	338	433	5 x 11	585	753	7 x 15	795	1027	10 x 13	830	1073
3 x 7	372	478	5 x 12	620	798	7 x 16	830	1073	10 x 14	866	1120
3 x 8	408	524	5 x 13	656	844	7 x 17	866	1120	10 x 15	901	1164
3 x 9	443	569	5 x 14	690	889	7 x 18	901	1164	10 x 16	936	1209
3 x 10	478	616	5 x 15	727	936	7 x 19	936	1209	10 x 17	972	1256
3 x 11	514	662	5 x 16	761	982	7 x 20	972	1256	10 x 18	1007	1302
3 x 12	549	707	5 x 17	795	1027				10 x 19	1042	1347
3 x 13	585	753	5 x 18	830	1073	8 x 8	585	753	10 x 20	1077	1393
3 x 14	620	798	5 x 19	866	1120	8 x 9	620	798			
3 x 15	656	844	5 x 20	901	1164	8 x 10	656	844			
3 x 16	690	889				8 x 11	690	889			
3 x 17	727	936				8 x 12	727	936			
3 x 18	761	982				8 x 13	761	982			
3 x 19	795	1027									
3 x 20	830	1073									

Included in Sign Cabinet Kit Pricing:

- One vertical side per Face will be 2Part Extended Frame with 2Part Retainer to allow the face to slide in and out.
- Mill finish or Pre-Painted.
- Four (4) pieces of cut to size and mitered 2Part 9" Double Face Body, Part #1928.
- Six (6) pieces of cut to size and mitered 2Part Extended Retainer, Part #1940.
- Two (2) pieces of cut to size and mitered 2Part Extended Frame, Part #1955 and 2Part Retainer Part, #1944.
- All screws required to assemble by mechanically fastening. Note: Raceway Cover Screws are not included.
- All Body Corner Angles and/or Corner Keys required.
- Packaging.

Not Included in Sign Cabinet Kit Pricing:

- Faces.
- Electrical Components.
- Internal Supports.

Optional Accessories:

- Ballast Pan(s). See page 6
- Raceway Covers. See pages 6 & 7
- Divider Bar. See pages 4, 9 & 29

Kit Sizes and Availability:

- It is recommended to order kits 1-3/4" over nominal T-12 lamp size to utilize .040 flat Aluminum Raceway Covers.
- Custom size kits may be cut to any dimension.

Recommended Lamp Spacing:

- For flat plastic, illuminated backgrounds - 8" on center for Part #1940 and 10" on center for Part #1939, using T-12 lamps.
- For pan formed faces use guideline for lamp spacing, see General Information on page 31.

Cut To Size Divider:

- See options page 29

General Information:

- Finishes. See page 31
- Additional information. See page 31
- Cut to size and pre-cut kits are available locally through select sign supply distributors.

*** Optional Retainer:**

- Add \$1.18 Mill Finish - \$1.50 Pre-painted, per perimeter foot per face for 2Part Large Extended Retainer part #1939.



Unassembled 14" Double Face Kits

2Part 12" D/F Body with 2Part Extended Retainer Part #1929			Part #1940						16-5/8"		
Size HxW	Mill Finish	Pre Paint	Size HxW	Mill Finish	Pre Paint	Size HxW	Mill Finish	Pre Paint	Size HxW	Mill Finish	Pre Paint
2 x 3	\$217	\$276	4 x 4	\$333	\$427	6 x 6	\$490	\$629	8 x 14	\$880	\$1135
2 x 4	256	325	4 x 5	371	477	6 x 7	529	681	8 x 15	918	1188
2 x 5	293	377	4 x 6	411	528	6 x 8	567	731	8 x 16	958	1238
2 x 6	333	427	4 x 7	450	580	6 x 9	607	782	8 x 17	996	1289
2 x 7	371	477	4 x 8	490	629	6 x 10	645	831	8 x 18	1037	1339
2 x 8	411	528	4 x 9	529	681	6 x 11	685	884	8 x 19	1075	1391
2 x 9	450	580	4 x 10	567	731	6 x 12	722	934	8 x 20	1113	1441
2 x 10	490	629	4 x 11	607	782	6 x 13	763	984	9 x 9	722	934
2 x 11	529	681	4 x 12	645	831	6 x 14	801	1035	9 x 10	763	984
2 x 12	567	731	4 x 13	685	884	6 x 15	840	1086	9 x 11	801	1035
2 x 13	607	782	4 x 14	722	934	6 x 16	880	1135	9 x 12	840	1086
2 x 14	645	831	4 x 15	763	984	6 x 17	918	1188	9 x 13	880	1135
2 x 15	685	884	4 x 16	801	1035	6 x 18	958	1238	9 x 14	918	1188
2 x 16	722	934	4 x 17	840	1086	6 x 19	996	1289	9 x 15	958	1238
2 x 17	763	984	4 x 18	880	1135	6 x 20	1037	1339	9 x 16	996	1289
2 x 18	801	1035	4 x 19	918	1188	7 x 7	567	731	9 x 17	1037	1339
2 x 19	840	1086	4 x 20	958	1238	7 x 8	607	782	9 x 18	1075	1391
2 x 20	880	1135				7 x 9	645	831	9 x 19	1113	1441
			5 x 5	411	528	7 x 10	685	884	9 x 20	1152	1492
			5 x 6	450	580	7 x 11	722	934			
3 x 3	256	325	5 x 7	490	629	7 x 12	763	984	10 x 10	801	1035
3 x 4	293	377	5 x 8	529	681	7 x 13	801	1035	10 x 11	840	1086
3 x 5	333	427	5 x 9	567	731	7 x 14	840	1086	10 x 12	880	1135
3 x 6	371	477	5 x 10	607	782	7 x 15	880	1135	10 x 13	918	1188
3 x 7	411	528	5 x 11	645	831	7 x 16	918	1188	10 x 14	958	1238
3 x 8	450	580	5 x 12	685	884	7 x 17	958	1238	10 x 15	996	1289
3 x 9	490	629	5 x 13	722	934	7 x 18	996	1289	10 x 16	1037	1339
3 x 10	529	681	5 x 14	763	984	7 x 19	1037	1339	10 x 17	1075	1391
3 x 11	567	731	5 x 15	801	1035	7 x 20	1076	1391	10 x 18	1113	1441
3 x 12	607	782	5 x 16	840	1086	8 x 8	645	831	10 x 19	1152	1492
3 x 13	645	831	5 x 17	880	1135	8 x 9	685	884	10 x 20	1191	1542
3 x 14	685	884	5 x 18	918	1188	8 x 10	722	934			
3 x 15	722	934	5 x 19	958	1238	8 x 11	763	984			
3 x 16	763	984	5 x 20	996	1289	8 x 12	801	1035			
3 x 17	801	1035				8 x 13	840	1086			
3 x 18	840	1086									
3 x 19	880	1135									
3 x 20	918	1188									

- Included in Sign Cabinet Kit Pricing:**
- One vertical side per face will be 2Part Extended Frame with 2Part Retainer to allow the face to slide in and out.
 - Mill finish or Pre-Painted.
 - Four (4) pieces of cut to size and mitered 2Part 12" Double Face Body, Part #1929.
 - Six (6) pieces of cut to size and mitered 2Part Extended Retainer, Part #1940.
 - Two (2) pieces of cut to size and mitered 2Part Extended Frame, Part #1955 and 2Part Retainer, Part #1944
 - All screws required to assemble by mechanically fastening. Note: Raceway Cover Screws are not included.
 - All Body Corner Angles and/or Corner Keys required.
 - Packaging.

- Not Included in Sign Cabinet Kit Pricing:**
- Faces.
 - Electrical Components.
 - Internal Supports.

- Optional Accessories:**
- Ballast Pan(s). See page 6
 - Raceway Covers. See pages 6 & 7
 - Divider Bar. See pages 4, 9 & 29

- Kit Sizes and Availability:**
- It is recommended to order kits 1-3/4" over nominal T-12 lamp size to utilize .040 flat Aluminum Raceway Covers.
 - Custom size kits may be cut to any dimension.

- Recommended Lamp Spacing:**
- For flat plastic, illuminated backgrounds - 12" on center, using T-12 lamps.
 - For pan formed faces use guideline for lamp spacing, see General Information on page 31.

- Cut To Size Divider:**
- See options page 29

- General Information:**
- Finishes. See page 31
 - Additional information. See page 31
 - Cut to size and pre-cut kits are available locally through select sign supply distributors.

- * Optional Retainer:**
- Add \$1.18 Mill Finish - \$1.50 Pre-painted, per perimeter foot per face for 2Part Large Extended Retainer part #1939.



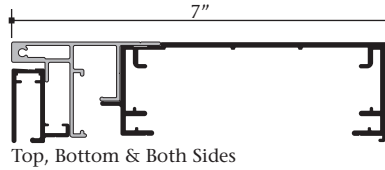
Unassembled 7" Single Face Vandal System Kits

2Part 6" S/F Body with 2Part Inner Frame and 2Part Outer Frame

Part #1926

Part #1960

Part #1942



Size HxW	Mill Finish	Pre Paint	Size HxW	Mill Finish	Pre Paint	Size HxW	Mill Finish	Pre Paint	Size HxW	Mill Finish	Pre Paint
2 x 3	\$188	\$248	4 x 4	\$278	\$372	6 x 6	\$399	\$540	8 x 14	\$705	\$967
2 x 4	219	292	4 x 5	309	416	6 x 7	429	583	8 x 15	736	1010
2 x 5	250	335	4 x 6	340	459	6 x 8	460	626	8 x 16	767	1053
2 x 6	281	379	4 x 7	371	502	6 x 9	491	670	8 x 17	798	1097
2 x 7	312	422	4 x 8	402	547	6 x 10	522	713	8 x 18	829	1140
2 x 8	343	465	4 x 9	433	590	6 x 11	553	756	8 x 19	860	1183
2 x 9	376	508	4 x 10	463	632	6 x 12	585	800	8 x 20	891	1227
2 x 10	407	551	4 x 11	495	675	6 x 13	616	843			
2 x 11	438	596	4 x 12	526	719	6 x 14	647	886	9 x 9	579	790
2 x 12	469	639	4 x 13	557	763	6 x 15	678	929	9 x 10	610	835
2 x 13	499	682	4 x 14	589	806	6 x 16	709	974	9 x 11	641	877
2 x 14	530	724	4 x 15	620	850	6 x 17	739	1017	9 x 12	672	920
2 x 15	561	768	4 x 16	651	892	6 x 18	770	1059	9 x 13	703	963
2 x 16	592	812	4 x 17	682	935	6 x 19	801	1102	9 x 14	735	1007
2 x 17	623	855	4 x 18	713	978	6 x 20	832	1146	9 x 15	766	1051
2 x 18	655	899	4 x 19	745	1023				9 x 16	797	1094
2 x 19	686	942	4 x 20	775	1066	7 x 7	459	623	9 x 17	827	1137
2 x 20	717	984				7 x 8	490	667	9 x 18	858	1180
			5 x 5	338	457	7 x 9	521	710	9 x 19	889	1223
3 x 3	218	289	5 x 6	369	500	7 x 10	551	753	9 x 20	920	1268
3 x 4	249	333	5 x 7	400	542	7 x 11	582	796			
3 x 5	280	376	5 x 8	431	585	7 x 12	613	839	10 x 10	639	874
3 x 6	310	418	5 x 9	462	629	7 x 13	645	884	10 x 11	670	917
3 x 7	341	462	5 x 10	493	673	7 x 14	676	927	10 x 12	701	961
3 x 8	372	506	5 x 11	525	716	7 x 15	707	969	10 x 13	732	1004
3 x 9	403	549	5 x 12	556	760	7 x 16	738	1012	10 x 14	763	1048
3 x 10	435	592	5 x 13	586	803	7 x 17	769	1056	10 x 15	795	1090
3 x 11	467	635	5 x 14	617	845	7 x 18	800	1100	10 x 16	826	1133
3 x 12	498	679	5 x 15	648	889	7 x 19	831	1143	10 x 17	857	1178
3 x 13	529	722	5 x 16	679	933	7 x 20	862	1187	10 x 18	888	1221
3 x 14	560	765	5 x 17	710	976				10 x 19	919	1264
3 x 15	591	809	5 x 18	742	1019	8 x 8	519	706	10 x 20	950	1306
3 x 16	622	852	5 x 19	773	1061	8 x 9	550	751			
3 x 17	652	896	5 x 20	805	1106	8 x 10	581	794			
3 x 18	683	938				8 x 11	612	837			
3 x 19	715	982				8 x 12	643	880			
3 x 20	746	1025				8 x 13	675	923			

Included in Sign Cabinet Kit Pricing:

- Mill finish or Pre-painted.
- Four (4) pieces of cut to size and mitered 2Part 6" Single Face Body, Part #1926.
- Four (4) pieces of cut to size and mitered 2Part Inner Frame, Part #1960.
- Four (4) pieces of cut to size and mitered 2Part Outer Frame, Part #1942.
- All screws required to assemble by mechanically fastening.
Note: Raceway Cover Screws and hinge fasteners are not included.
- All Body Corner Angles and/or Corner Keys required.
- Packaging.
- Cut to size 2Part Hinge, Part #5996.
- Two (2) 2Part Locks, Part #5994.
- One (1) 2Part Lock Wrench, Part #5992.

Not Included in Sign Cabinet Kit Pricing:

- Faces and Back.
- Electrical Components.

Not Included (Cont.):

- Back Braces and Gussets.
- Mounting Provisions.
- Attachment of Hinge.
- Drilling of holes for locks and attachment of locks.

Optional Accessories:

- Ballast Pan(s). See page 6
- Raceway Covers. See pages 6 & 7
- Divider Bar. See pages 4, 9 & 29

Kit Sizes and Availability:

- It is recommended to order kits 1-3/4" over nominal T-12 lamp size to utilize .040 flat Aluminum Raceway Covers.
- Custom size kits may be cut to any dimension.

Recommended Lamp Spacing:

- For flat plastic, illuminated backgrounds - 6" on center, using T-12 lamps.

- For pan formed faces use guideline for lamp spacing, see General Information on page 31.
- Always place lamps 3/4" from back of sign.

Cut To Size Dividers:

- See options page 29

General Information:

- Finishes. See page 31
- Additional information. See page 31
- Cut to size and pre-cut kits are available locally through select sign supply distributors.
- The **Inner Frame** retains the inner face. See page 10
- The **Outer Frame** retains the vandal cover. See page 10

NOTE: It is recommended to use safety chains and prop-bars on hingeable faces.



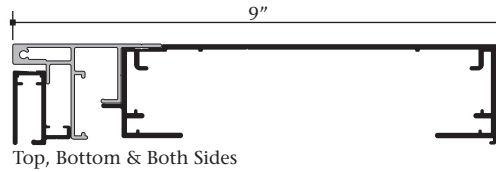
Unassembled 9" Single Face Vandal System Kits

2Part 8" S/F Body with 2Part Inner Frame and 2Part Outer Frame

Part #1927

Part #1960

Part #1942



Top, Bottom & Both Sides

Size HxW	Mill Finish	Pre Paint	Size HxW	Mill Finish	Pre Paint	Size HxW	Mill Finish	Pre Paint	Size HxW	Mill Finish	Pre Paint
2 x 3	\$187	\$231	4 x 4	\$278	\$347	6 x 6	\$400	\$506	8 x 14	\$710	\$880
2 x 4	218	271	4 x 5	309	388	6 x 7	431	545	8 x 15	743	944
2 x 5	250	312	4 x 6	341	428	6 x 8	462	585	8 x 16	773	983
2 x 6	280	352	4 x 7	371	469	6 x 9	493	625	8 x 17	806	1024
2 x 7	312	393	4 x 8	403	508	6 x 10	526	666	8 x 18	837	1065
2 x 8	343	432	4 x 9	435	549	6 x 11	556	706	8 x 19	868	1105
2 x 9	377	473	4 x 10	467	590	6 x 12	589	747	8 x 20	899	1145
2 x 10	407	511	4 x 11	498	629	6 x 13	620	786			
2 x 11	439	552	4 x 12	530	671	6 x 14	652	827	9 x 9	583	740
2 x 12	470	593	4 x 13	561	710	6 x 15	682	868	9 x 10	615	781
2 x 13	501	633	4 x 14	592	751	6 x 16	715	907	9 x 11	646	822
2 x 14	532	673	4 x 15	623	790	6 x 17	747	948	9 x 12	677	861
2 x 15	565	714	4 x 16	656	830	6 x 18	777	988	9 x 13	709	902
2 x 16	595	753	4 x 17	686	870	6 x 19	809	1028	9 x 14	740	943
2 x 17	627	794	4 x 18	718	911	6 x 20	840	1068	9 x 15	771	982
2 x 18	658	834	4 x 19	749	951				9 x 16	805	1023
2 x 19	690	874	4 x 20	781	992	7 x 7	461	584	9 x 17	836	1061
2 x 20	720	914				7 x 8	492	624	9 x 18	867	1104
			5 x 5	338	427	7 x 9	525	664	9 x 19	898	1143
			5 x 6	370	468	7 x 10	555	704	9 x 20	930	1183
3 x 3	217	270	5 x 7	401	507	7 x 11	587	746			
3 x 4	248	309	5 x 8	433	548	7 x 12	618	785	10 x 10	645	821
3 x 5	279	351	5 x 9	463	587	7 x 13	649	826	10 x 11	676	860
3 x 6	310	391	5 x 10	496	628	7 x 14	681	865	10 x 12	708	901
3 x 7	342	431	5 x 11	528	667	7 x 15	713	905	10 x 13	738	941
3 x 8	372	470	5 x 12	560	708	7 x 16	745	945	10 x 14	770	981
3 x 9	406	510	5 x 13	590	748	7 x 17	776	985	10 x 15	801	1020
3 x 10	437	550	5 x 14	622	789	7 x 18	807	1026	10 x 16	835	1060
3 x 11	469	591	5 x 15	653	828	7 x 19	839	1067	10 x 17	865	1101
3 x 12	499	631	5 x 16	685	869	7 x 20	869	1106	10 x 18	897	1142
3 x 13	531	672	5 x 17	716	908				10 x 19	928	1181
3 x 14	562	712	5 x 18	748	949	8 x 8	521	662	10 x 20	959	1222
3 x 15	593	752	5 x 19	778	990	8 x 9	553	703			
3 x 16	625	791	5 x 20	810	1030	8 x 10	585	742			
3 x 17	657	831				8 x 11	617	784			
3 x 18	689	872				8 x 12	647	823			
3 x 19	719	913				8 x 13	679	863			
3 x 20	751	953									

Included in Sign Cabinet Kit Pricing:

- Mill finish or Pre-painted.
- Four (4) pieces of cut to size and mitered 2Part 8" Single Face Body, Part #1927.
- Four (4) pieces of cut to size and mitered 2Part Inner Frame, Part #1960.
- Four (4) pieces of cut to size and mitered 2Part Outer Frame, Part #1942.
- All screws required to assemble by mechanically fastening. Note: Raceway Cover Screws and hinge fasteners are not included.
- All Body Corner Angles and/or Corner Keys required.
- Packaging.
- Cut to size 2Part Hinge, Part #5996.
- Two (2) 2Part Locks, Part #5994.
- One (1) 2Part Lock Wrench, Part #5992.

Not Included in Sign Cabinet Kit Pricing:

- Faces and Back.
- Electrical Components.

Not Included (Cont.):

- Back Braces and Gussets.
- Mounting Provisions.
- Attachment of Hinge.
- Drilling of holes for locks and attachment of locks.

Optional Accessories:

- Ballast Pan(s). See page 6
- Raceway Covers. See pages 6 & 7
- Divider Bar. See pages 4, 9 & 29

Kit Sizes and Availability:

- It is recommended to order kits 1-3/4" over nominal T-12 lamp size to utilize .040 flat Aluminum Raceway Covers.
- Custom size kits may be cut to any dimension.

Recommended Lamp Spacing:

- For flat plastic, illuminated backgrounds - 10" on center, using T-12 lamps.

- For pan formed faces use guideline for lamp spacing, see General Information on page 31.
- Always place lamps 3/4" from back of sign.

Cut To Size Dividers:

- See options page 29

General Information:

- Finishes. See page 31
- Additional information. See page 31
- Cut to size and pre-cut kits are available locally through select sign supply distributors.
- The **Inner Frame** retains the inner face. See page 10
- The **Outer Frame** retains the vandal cover. See page 10

*** Optional Retro (Vandal System Only)**

- Deduct \$6.78 Mill Finish - \$8.82 for Pre-painted, per perimeter foot per face.

NOTE: It is recommended to use safety chains and prop-bars on hingeable faces.



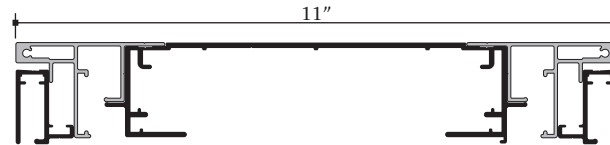
Unassembled 11" Double Face Vandal System Kits

2Part 9" D/F Body with 2Part Inner Frame and 2Part Outer Frame

Part #1928

Part #1960

Part #1942



Top, Bottom & Both Sides

Size HxW	Mill Finish	Pre Paint	Size HxW	Mill Finish	Pre Paint	Size HxW	Mill Finish	Pre Paint	Size HxW	Mill Finish	Pre Paint
2 x 3	\$272	\$327	4 x 4	\$397	\$486	6 x 6	\$563	\$698	8 x 14	\$992	\$1236
2 x 4	316	382	4 x 5	440	540	6 x 7	607	752	8 x 15	1037	1289
2 x 5	360	435	4 x 6	483	594	6 x 8	649	806	8 x 16	1080	1343
2 x 6	402	490	4 x 7	528	647	6 x 9	693	860	8 x 17	1122	1396
2 x 7	446	544	4 x 8	570	702	6 x 10	737	914	8 x 18	1167	1451
2 x 8	490	598	4 x 9	615	755	6 x 11	781	969	8 x 19	1210	1504
2 x 9	533	653	4 x 10	658	810	6 x 12	825	1023	8 x 20	1254	1559
2 x 10	578	706	4 x 11	701	865	6 x 13	868	1076			
2 x 11	621	761	4 x 12	746	919	6 x 14	912	1131	9 x 9	813	1017
2 x 12	663	814	4 x 13	789	974	6 x 15	956	1184	9 x 10	858	1071
2 x 13	708	869	4 x 14	831	1027	6 x 16	999	1239	9 x 11	901	1125
2 x 14	751	923	4 x 15	876	1081	6 x 17	1042	1294	9 x 12	946	1179
2 x 15	795	977	4 x 16	919	1134	6 x 18	1086	1347	9 x 13	989	1233
2 x 16	839	1031	4 x 17	963	1189	6 x 19	1130	1401	9 x 14	1031	1286
2 x 17	882	1085	4 x 18	1007	1243	6 x 20	1173	1454	9 x 15	1076	1340
2 x 18	927	1140	4 x 19	1050	1297				9 x 16	1119	1394
2 x 19	969	1192	4 x 20	1095	1351	7 x 7	647	805	9 x 17	1162	1447
2 x 20	1012	1247				7 x 8	691	859	9 x 18	1207	1502
			5 x 5	479	593	7 x 9	735	913	9 x 19	1250	1558
3 x 3	311	380	5 x 6	523	646	7 x 10	778	966	9 x 20	1295	1612
3 x 4	355	434	5 x 7	567	700	7 x 11	822	1020			
3 x 5	399	489	5 x 8	610	754	7 x 12	866	1074	10 x 10	899	1124
3 x 6	442	542	5 x 9	655	809	7 x 13	910	1129	10 x 11	942	1178
3 x 7	487	597	5 x 10	698	862	7 x 14	952	1182	10 x 12	987	1231
3 x 8	530	651	5 x 11	740	917	7 x 15	996	1237	10 x 13	1029	1285
3 x 9	572	704	5 x 12	785	970	7 x 16	1040	1290	10 x 14	1074	1339
3 x 10	617	758	5 x 13	828	1024	7 x 17	1083	1344	10 x 15	1117	1393
3 x 11	660	812	5 x 14	872	1077	7 x 18	1128	1397	10 x 16	1160	1447
3 x 12	703	867	5 x 15	916	1132	7 x 19	1171	1453	10 x 17	1205	1501
3 x 13	748	920	5 x 16	959	1187	7 x 20	1226	1508	10 x 18	1248	1556
3 x 14	791	975	5 x 17	1003	1240				10 x 19	1290	1609
3 x 15	836	1028	5 x 18	1046	1295	8 x 8	731	910	10 x 20	1335	1663
3 x 16	878	1083	5 x 19	1090	1350	8 x 9	775	963			
3 x 17	921	1135	5 x 20	1134	1404	8 x 10	819	1019			
3 x 18	966	1190				8 x 11	861	1073			
3 x 19	1009	1244				8 x 12	905	1127			
3 x 20	1052	1299				8 x 13	949	1181			

Included in Sign Cabinet Kit Pricing:

- Mill finish or Pre-Painted.
- Four (4) pieces of cut to size and mitered 2Part 9" Double Face Body, Part #1928.
- Eight (8) pieces of cut to size and mitered 2Part Inner Frame, Part #1960.
- Eight (8) pieces of cut to size and mitered 2Part Outer Frame, Part #1942.
- All screws required to assemble by mechanically fastening.
Note: Raceway Cover Screws and hinge fasteners are not included.
- All Body Corner Angles and/or Corner Keys required.
- Packaging.
- Cut to size 2Part Hinge, Part #5996.
- Four (4) 2Part Locks, Part #5994.
- One (1) 2Part Lock Wrench, Part #5992

Not Included in Sign Cabinet Kit Pricing:

- Faces.
- Electrical Components.

Not Included (Cont.):

- Internal Supports.
- Attachment of Hinge.
- Drilling of holes for locks and attachment of locks.

Optional Accessories:

- Ballast Pan(s). See page 6
- Raceway Covers. See pages 6 & 7
- Divider Bar. See pages 4, 9 & 29

Kit Sizes and Availability:

- It is recommended to order kits 1-3/4" over nominal T-12 lamp size to utilize .040 flat Aluminum Raceway Covers.
- Custom size kits may be cut to any dimension.

Recommended Lamp Spacing:

- For flat plastic, illuminated backgrounds - 7" on center, using T-12 lamps.
- For pan formed faces use guideline for lamp spacing, see General Information on page 31.

Cut To Size Dividers:

- See options page 29

General Information:

- Finishes. See page 31
- Additional information. See page 31
- Cut to size and pre-cut kits are available locally through select sign supply distributors.
- The **Inner Frame** retains the inner face. See page 10
- The **Outer Frame** retains the vandal cover. See page 10

NOTE: It is recommended to use safety chains and prop-bars on hingeable faces.



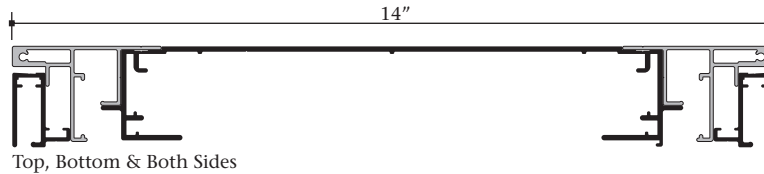
Unassembled 14" Double Face Vandal System Kits

2Part 12" D/F Body with 2Part Inner Frame and 2Part Outer Frame

Part #1929

Part #1960

Part #1942



Size HxW	Mill Finish	Pre Paint	Size HxW	Mill Finish	Pre Paint	Size HxW	Mill Finish	Pre Paint	Size HxW	Mill Finish	Pre Paint
2 x 3	\$291	\$358	4 x 4	\$427	\$532	6 x 6	\$610	\$768	8 x 14	\$1079	\$1367
2 x 4	339	418	4 x 5	475	593	6 x 7	658	828	8 x 15	1127	1428
2 x 5	387	480	4 x 6	522	654	6 x 8	705	889	8 x 16	1175	1489
2 x 6	433	540	4 x 7	569	715	6 x 9	752	950	8 x 17	1222	1550
2 x 7	482	600	4 x 8	617	776	6 x 10	800	1010	8 x 18	1270	1610
2 x 8	530	662	4 x 9	666	837	6 x 11	849	1072	8 x 19	1317	1671
2 x 9	578	722	4 x 10	713	897	6 x 12	897	1132	8 x 20	1365	1732
2 x 10	626	784	4 x 11	761	958	6 x 13	943	1194			
2 x 11	673	844	4 x 12	808	1019	6 x 14	991	1254	9 x 9	885	1120
2 x 12	720	904	4 x 13	856	1080	6 x 15	1039	1314	9 x 10	932	1181
2 x 13	768	966	4 x 14	903	1141	6 x 16	1087	1376	9 x 11	980	1241
2 x 14	816	1026	4 x 15	951	1201	6 x 17	1135	1436	9 x 12	1027	1303
2 x 15	865	1088	4 x 16	999	1262	6 x 18	1181	1498	9 x 13	1075	1363
2 x 16	911	1148	4 x 17	1046	1323	6 x 19	1229	1558	9 x 14	1122	1425
2 x 17	959	1208	4 x 18	1095	1384	6 x 20	1278	1618	9 x 15	1171	1485
2 x 18	1007	1270	4 x 19	1142	1445				9 x 16	1219	1545
2 x 19	1055	1330	4 x 20	1190	1504	7 x 7	701	885	9 x 17	1266	1607
2 x 20	1102	1392				7 x 8	749	946	9 x 18	1314	1667
			5 x 5	518	649	7 x 9	797	1007	9 x 19	1361	1729
3 x 3	336	415	5 x 6	566	712	7 x 10	845	1068	9 x 20	1409	1789
3 x 4	382	475	5 x 7	613	771	7 x 11	891	1129			
3 x 5	430	536	5 x 8	661	831	7 x 12	939	1189	10 x 10	976	1238
3 x 6	478	597	5 x 9	709	893	7 x 13	988	1250	10 x 11	1023	1298
3 x 7	526	658	5 x 10	756	953	7 x 14	1036	1311	10 x 12	1071	1360
3 x 8	574	719	5 x 11	805	1015	7 x 15	1083	1372	10 x 13	1119	1420
3 x 9	621	779	5 x 12	852	1075	7 x 16	1130	1433	10 x 14	1167	1482
3 x 10	669	840	5 x 13	900	1135	7 x 17	1178	1493	10 x 15	1214	1542
3 x 11	717	901	5 x 14	948	1197	7 x 18	1226	1554	10 x 16	1262	1603
3 x 12	765	962	5 x 15	995	1257	7 x 19	1274	1615	10 x 17	1310	1664
3 x 13	812	1023	5 x 16	1042	1319	7 x 20	1321	1676	10 x 18	1358	1724
3 x 14	859	1083	5 x 17	1090	1379				10 x 19	1406	1786
3 x 15	907	1145	5 x 18	1138	1440	8 x 8	793	1003	10 x 20	1452	1846
3 x 16	956	1205	5 x 19	1187	1501	8 x 9	840	1064			
3 x 17	1003	1266	5 x 20	1233	1561	8 x 10	888	1125			
3 x 18	1051	1327				8 x 11	936	1184			
3 x 19	1098	1387				8 x 12	984	1247			
3 x 20	1146	1449				8 x 13	1031	1306			

Included in Sign Cabinet Kit Pricing:

- Mill finish or Pre-Painted.
- Four (4) pieces of cut to size and mitered 2Part 12" Double Face Body, Part #1929.
- Eight (8) pieces of cut to size and mitered 2Part Inner Frame, Part #1960.
- Eight (8) pieces of cut to size and mitered 2Part Outer Frame, Part #1942.
- All screws required to assemble by mechanically fastening.
- Note: Raceway Cover Screws and hinge fasteners are not included.
- All Body Corner Angles and/or Corner Keys required.
- Packaging.
- Cut to size 2Part Hinge, Part #5996.
- Four (4) 2Part Locks, Part #5994.
- One (1) 2Part Lock Wrench, Part #5994.

Not Included in Sign Cabinet Kit Pricing:

- Faces.
- Electrical Components.

Not Included (Cont.):

- Internal Supports.
- Attachment of Hinge.
- Drilling of holes for locks and attachment of locks.

Optional Accessories:

- Ballast Pan(s). See page 6
- Raceway Covers. See pages 6 & 7
- Divider Bar. See pages 4, 9 & 29

Kit Sizes and Availability:

- It is recommended to order kits 1-3/4" over nominal T-12 lamp size to utilize .040 flat Aluminum Raceway Covers.
- Custom size kits may be cut to any dimension.

Recommended Lamp Spacing:

- For flat plastic, illuminated backgrounds - 9" on center, using T-12 lamps.
- For pan formed faces use guideline for lamp spacing, see General Information on page 31.

Cut To Size Dividers:

- See options page 29

General Information:

- Finishes. See page 31
- Additional information. See page 31
- Cut to size and pre-cut kits are available locally through select sign supply distributors.
- The **Inner Frame** retains the inner face. See page 10
- The **Outer Frame** retains the vandal cover. See page 10

NOTE: It is recommended to use safety chains and prop-bars on hingeable faces.



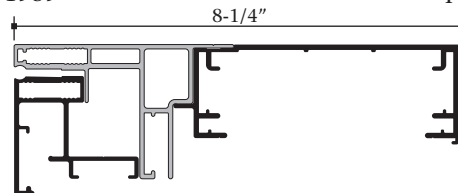
Unassembled 8-1/4" Single Face Vandal System Kits

2Part 6" S/F Body with 2Part Large Inner Frame and 2Part Large Outer Frame

Part #1926

Part #1959

Part #1941



Top, Bottom & Both Sides

Size HxW	Mill Finish	Pre Paint	Size HxW	Mill Finish	Pre Paint	Size HxW	Mill Finish	Pre Paint	Size HxW	Mill Finish	Pre Paint
2 x 3	\$261	\$346	4 x 4	\$389	\$524	6 x 6	\$562	\$764	8 x 14	\$1003	\$1375
2 x 4	306	409	4 x 5	433	585	6 x 7	607	826	8 x 15	1048	1437
2 x 5	350	470	4 x 6	478	647	6 x 8	651	887	8 x 16	1091	1499
2 x 6	396	532	4 x 7	522	710	6 x 9	697	950	8 x 17	1137	1560
2 x 7	440	593	4 x 8	568	771	6 x 10	740	1011	8 x 18	1181	1622
2 x 8	484	656	4 x 9	612	834	6 x 11	785	1073	8 x 19	1226	1684
2 x 9	529	717	4 x 10	657	896	6 x 12	830	1134	8 x 20	1270	1746
2 x 10	574	779	4 x 11	702	958	6 x 13	875	1197			
2 x 11	618	842	4 x 12	747	1019	6 x 14	919	1258	9 x 9	821	1124
2 x 12	662	903	4 x 13	791	1081	6 x 15	963	1320	9 x 10	867	1184
2 x 13	707	965	4 x 14	836	1143	6 x 16	1009	1384	9 x 11	911	1247
2 x 14	752	1027	4 x 15	881	1205	6 x 17	1053	1445	9 x 12	956	1310
2 x 15	797	1089	4 x 16	926	1266	6 x 18	1098	1507	9 x 13	999	1371
2 x 16	841	1150	4 x 17	969	1329	6 x 19	1142	1568	9 x 14	1045	1433
2 x 17	886	1212	4 x 18	1014	1391	6 x 20	1188	1631	9 x 15	1089	1495
2 x 18	931	1274	4 x 19	1059	1452				9 x 16	1134	1557
2 x 19	976	1336	4 x 20	1104	1515	7 x 7	648	884	9 x 17	1178	1618
2 x 20	1020	1397				7 x 8	692	945	9 x 18	1224	1680
			5 x 5	476	643	7 x 9	738	1008	9 x 19	1268	1742
3 x 3	303	403	5 x 6	520	706	7 x 10	782	1069	9 x 20	1312	1804
3 x 4	348	467	5 x 7	565	768	7 x 11	827	1131			
3 x 5	392	528	5 x 8	610	829	7 x 12	871	1194	10 x 10	907	1243
3 x 6	437	590	5 x 9	655	891	7 x 13	917	1255	10 x 11	952	1305
3 x 7	482	653	5 x 10	699	953	7 x 14	961	1317	10 x 12	997	1367
3 x 8	526	714	5 x 11	743	1015	7 x 15	1006	1378	10 x 13	1041	1428
3 x 9	570	776	5 x 12	789	1076	7 x 16	1050	1441	10 x 14	1087	1491
3 x 10	615	837	5 x 13	832	1140	7 x 17	1096	1502	10 x 15	1131	1553
3 x 11	660	900	5 x 14	877	1201	7 x 18	1140	1564	10 x 16	1176	1615
3 x 12	705	961	5 x 15	921	1263	7 x 19	1184	1626	10 x 17	1220	1676
3 x 13	749	1023	5 x 16	967	1324	7 x 20	1229	1688	10 x 18	1266	1739
3 x 14	795	1085	5 x 17	1011	1387				10 x 19	1310	1800
3 x 15	839	1147	5 x 18	1056	1449	8 x 8	735	1003	10 x 20	1355	1862
3 x 16	883	1208	5 x 19	1101	1510	8 x 9	779	1066			
3 x 17	928	1271	5 x 20	1146	1573	8 x 10	825	1127			
3 x 18	973	1332				8 x 11	869	1189			
3 x 19	1018	1394				8 x 12	913	1252			
3 x 20	1061	1455				8 x 13	959	1313			

Included in Sign Cabinet Kit Pricing:

- Mill finish or Pre-painted.
- Four (4) pieces of cut to size and mitered 2Part 6" Single Face Body, Part #1926.
- Four (4) pieces of cut to size and mitered 2Part Large Inner Frame, Part #1959.
- Four (4) pieces of cut to size and mitered 2Part Large Outer Frame, Part #1941.
- All screws required to assemble by mechanically fastening. Note: Raceway Cover Screws are not included.
- All Body Corner Angles and/or Corner Keys required.
- Packaging.
- Cut to size 2Part Large Hinge, Part #5997.
- Two (2) 2Part Large Locks, Part #5993.

Not Included in Sign Cabinet Kit Pricing:

- Faces and Back.
- Electrical Components.
- Back Braces and Gussets.

Not Included (Cont.):

- Mounting Provisions.
- Attachment of Hinge.
- Drilling of holes for locks and attachment of locks.
- Gas supports and mounting hardware.

Optional Accessories:

- Ballast Pan(s). See page 6
- Raceway Covers. See pages 6 & 7
- Divider Bar. See pages 4, 9 & 29
- Gas Supports and Mounting Hardware. See page 29

Kit Sizes and Availability:

- It is recommended to order kits 1-3/4" over nominal T-12 lamp size to utilize .040 flat Aluminum Raceway Covers.
- Custom size kits may be cut to any dimension.

Cut To Size Dividers:

- See options page 29

Recommended Lamp Spacing:

- For flat plastic, illuminated backgrounds - 6" on center, using T-12 lamps.
- For pan formed faces use guideline for lamp spacing, see General Information on page 31.
- Always place lamps 3/4" from back of sign.

General Information:

- Finishes. See page 31
- Additional information. See page 31
- Cut to size and pre-cut kits are available locally through select sign supply distributors.
- The **Inner Frame** retains the inner face. See page 10
- The **Outer Frame** retains the vandal cover. See page 10

NOTE: It is recommended to use safety chains and prop-bars on hingeable faces.



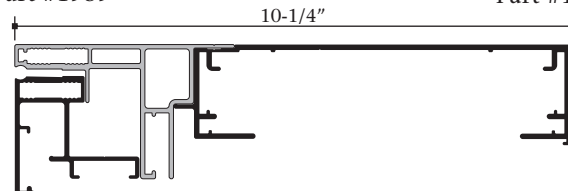
Unassembled 10-1/4" Single Face Vandal System Kits

2Part 8" S/F Body with 2Part Large Inner Frame and 2Part Large Outer Frame

Part #1927

Part #1959

Part #1941



Top, Bottom & Both Sides

Size HxW	Mill Finish	Pre Paint	Size HxW	Mill Finish	Pre Paint	Size HxW	Mill Finish	Pre Paint	Size HxW	Mill Finish	Pre Paint
2 x 3	\$263	\$330	4 x 4	\$396	\$500	6 x 6	\$571	\$728	8 x 14	\$1022	\$1304
2 x 4	310	387	4 x 5	441	557	6 x 7	617	785	8 x 15	1067	1364
2 x 5	355	446	4 x 6	487	616	6 x 8	662	844	8 x 16	1113	1422
2 x 6	401	505	4 x 7	532	674	6 x 9	709	902	8 x 17	1158	1482
2 x 7	446	564	4 x 8	578	732	6 x 10	753	960	8 x 18	1205	1540
2 x 8	492	622	4 x 9	623	791	6 x 11	800	1019	8 x 19	1250	1598
2 x 9	537	679	4 x 10	668	850	6 x 12	845	1076	8 x 20	1296	1656
2 x 10	583	738	4 x 11	715	908	6 x 13	891	1135			
2 x 11	628	796	4 x 12	761	966	6 x 14	936	1194	9 x 9	837	1069
2 x 12	675	856	4 x 13	806	1024	6 x 15	982	1253	9 x 10	882	1127
2 x 13	719	914	4 x 14	851	1084	6 x 16	1027	1312	9 x 11	929	1184
2 x 14	766	973	4 x 15	897	1142	6 x 17	1074	1370	9 x 12	973	1244
2 x 15	811	1031	4 x 16	942	1201	6 x 18	1118	1428	9 x 13	1020	1301
2 x 16	857	1089	4 x 17	988	1258	6 x 19	1165	1486	9 x 14	1065	1361
2 x 17	902	1148	4 x 18	1033	1317	6 x 20	1209	1544	9 x 15	1111	1419
2 x 18	948	1206	4 x 19	1079	1376				9 x 16	1156	1478
2 x 19	993	1264	4 x 20	1125	1434	7 x 7	660	840	9 x 17	1202	1537
2 x 20	1039	1323				7 x 8	706	900	9 x 18	1247	1594
			5 x 5	483	613	7 x 9	751	958	9 x 19	1293	1654
3 x 3	307	384	5 x 6	530	672	7 x 10	796	1017	9 x 20	1338	1712
3 x 4	352	444	5 x 7	574	730	7 x 11	842	1074			
3 x 5	398	502	5 x 8	621	789	7 x 12	887	1132	10 x 10	924	1182
3 x 6	443	560	5 x 9	666	846	7 x 13	933	1191	10 x 11	970	1241
3 x 7	490	618	5 x 10	712	904	7 x 14	979	1249	10 x 12	1015	1299
3 x 8	535	677	5 x 11	756	963	7 x 15	1025	1310	10 x 13	1061	1357
3 x 9	581	736	5 x 12	803	1022	7 x 16	1070	1367	10 x 14	1106	1417
3 x 10	626	794	5 x 13	847	1081	7 x 17	1116	1425	10 x 15	1152	1474
3 x 11	672	852	5 x 14	895	1140	7 x 18	1161	1484	10 x 16	1198	1534
3 x 12	717	911	5 x 15	938	1197	7 x 19	1207	1542	10 x 17	1244	1592
3 x 13	763	969	5 x 16	985	1256	7 x 20	1252	1601	10 x 18	1289	1650
3 x 14	808	1028	5 x 17	1030	1314				10 x 19	1335	1709
3 x 15	855	1086	5 x 18	1076	1372	8 x 8	749	954	10 x 20	1380	1767
3 x 16	899	1145	5 x 19	1121	1431	8 x 9	793	1012			
3 x 17	946	1204	5 x 20	1167	1489	8 x 10	840	1072			
3 x 18	990	1262				8 x 11	885	1130			
3 x 19	1037	1320				8 x 12	931	1189			
3 x 20	1082	1378				8 x 13	976	1247			

Included in Sign Cabinet Kit Pricing:

- Mill finish or Pre-painted.
- Four (4) pieces of cut to size and mitered 2Part 8" Single Face Body, Part #1927.
- Four (4) pieces of cut to size and mitered 2Part Large Inner Frame, Part #1959.
- Four (4) pieces of cut to size and mitered 2Part Large Outer Frame, Part #1941.
- All screws required to assemble by mechanically fastening. Note: Raceway Cover Screws are not included.
- All Body Corner Angles and/or Corner Keys required.
- Packaging.
- Cut to size 2Part Large Hinge, Part #5997.
- Two (2) 2Part Large Locks, Part #5993.

Not Included in Sign Cabinet Kit Pricing:

- Faces and Back.
- Electrical Components.
- Back Braces and Gussets.

Not Included (Cont.):

- Mounting Provisions.
- Attachment of Hinge.
- Drilling of holes for locks and attachment of locks.
- Gas supports and mounting hardware.

Optional Accessories:

- Ballast Pan(s). See page 6
- Raceway Covers. See pages 6 & 7
- Divider Bar. See pages 4, 9 & 29
- Gas Supports and Mounting Hardware. See page 29

Kit Sizes and Availability:

- It is recommended to order kits 1-3/4" over nominal T-12 lamp size to utilize .040 flat Aluminum Raceway Covers.
- Custom size kits may be cut to any dimension.

Cut To Size Dividers:

- See options page 29

Recommended Lamp Spacing:

- For flat plastic, illuminated backgrounds - 10" on center, using T-12 lamps.
- For pan formed faces use guideline for lamp spacing, see General Information on page 31.
- Always place lamps 3/4" from back of sign.

General Information:

- Finishes. See page 31
- Additional information. See page 31
- Cut to size and pre-cut kits are available locally through select sign supply distributors.
- The **Inner Frame** retains the inner face. See page 10
- The **Outer Frame** retains the vandal cover. See page 10

*** Retro Option (Vandal System Only)**

- Deduct \$6.78 Mill Finish - \$8.82 Pre-painted, per perimeter foot per face.

NOTE: It is recommended to use safety chains and prop-bars on hingeable faces.



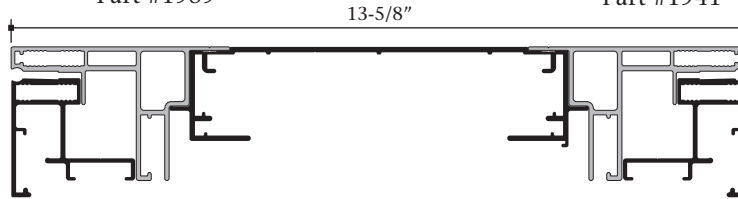
Unassembled 13-5/8" Double Face Vandal System Kits

2Part 9" D/F Body with 2Part Large Inner Frame and 2Part Large Outer Frame

Part #1928

Part #1959

Part #1941



Top, Bottom & Both Sides

Size HxW	Mill Finish	Pre Paint	Size HxW	Mill Finish	Pre Paint	Size HxW	Mill Finish	Pre Paint	Size HxW	Mill Finish	Pre Paint
2 x 3	\$427	\$530	4 x 4	\$632	\$794	6 x 6	\$910	\$1151	8 x 14	\$1618	\$2062
2 x 4	499	622	4 x 5	703	886	6 x 7	981	1244	8 x 15	1690	2155
2 x 5	571	714	4 x 6	776	978	6 x 8	1052	1336	8 x 16	1761	2246
2 x 6	643	806	4 x 7	847	1071	6 x 9	1125	1428	8 x 17	1834	2338
2 x 7	716	899	4 x 8	920	1163	6 x 10	1196	1520	8 x 18	1906	2430
2 x 8	788	991	4 x 9	992	1255	6 x 11	1269	1614	8 x 19	1977	2523
2 x 9	859	1083	4 x 10	1065	1348	6 x 12	1341	1706	8 x 20	2050	2616
2 x 10	932	1174	4 x 11	1136	1441	6 x 13	1412	1798			
2 x 11	1005	1266	4 x 12	1208	1532	6 x 14	1485	1889	9 x 9	1323	1687
2 x 12	1076	1359	4 x 13	1281	1624	6 x 15	1557	1982	9 x 10	1396	1780
2 x 13	1148	1452	4 x 14	1352	1716	6 x 16	1629	2074	9 x 11	1468	1873
2 x 14	1220	1544	4 x 15	1425	1809	6 x 17	1701	2166	9 x 12	1540	1963
2 x 15	1290	1637	4 x 16	1497	1901	6 x 18	1774	2258	9 x 13	1611	2057
2 x 16	1364	1729	4 x 17	1569	1993	6 x 19	1846	2351	9 x 14	1684	2149
2 x 17	1436	1821	4 x 18	1640	2085	6 x 20	1917	2443	9 x 15	1756	2241
2 x 18	1508	1913	4 x 19	1714	2179				9 x 16	1829	2333
2 x 19	1579	2006	4 x 20	1785	2271	7 x 7	1048	1330	9 x 17	1900	2426
2 x 20	1651	2098				7 x 8	1119	1422	9 x 18	1973	2518
			5 x 5	770	974	7 x 9	1191	1515	9 x 19	2045	2610
3 x 3	493	616	5 x 6	842	1066	7 x 10	1263	1606	9 x 20	2116	2702
3 x 4	566	708	5 x 7	915	1158	7 x 11	1335	1698			
3 x 5	638	801	5 x 8	987	1249	7 x 12	1407	1790	10 x 10	1462	1865
3 x 6	710	892	5 x 9	1059	1342	7 x 13	1480	1884	10 x 11	1534	1958
3 x 7	782	984	5 x 10	1131	1434	7 x 14	1552	1976	10 x 12	1607	2050
3 x 8	855	1076	5 x 11	1203	1526	7 x 15	1624	2068	10 x 13	1679	2142
3 x 9	927	1170	5 x 12	1275	1618	7 x 16	1696	2160	10 x 14	1751	2234
3 x 10	997	1262	5 x 13	1347	1711	7 x 17	1767	2253	10 x 15	1821	2327
3 x 11	1069	1354	5 x 14	1418	1803	7 x 18	1839	2345	10 x 16	1894	2419
3 x 12	1142	1446	5 x 15	1491	1895	7 x 19	1911	2437	10 x 17	1967	2512
3 x 13	1214	1539	5 x 16	1562	1987	7 x 20	1984	2528	10 x 18	2038	2603
3 x 14	1286	1631	5 x 17	1635	2081				10 x 19	2110	2696
3 x 15	1358	1723	5 x 18	1707	2173	8 x 8	1187	1509	10 x 20	2183	2788
3 x 16	1430	1814	5 x 19	1778	2264	8 x 9	1258	1601			
3 x 17	1501	1906	5 x 20	1850	2356	8 x 10	1330	1693			
3 x 18	1575	1999				8 x 11	1402	1786			
3 x 19	1647	2091				8 x 12	1472	1878			
3 x 20	1718	2183				8 x 13	1545	1970			

Included in Sign Cabinet Kit Pricing:

- Mill finish or Pre-Painted.
- Four (4) pieces of cut to size and mitered 2Part 9" Double Face Body, Part #1928.
- Eight (8) pieces of cut to size and mitered 2Part Large Inner Frame, Part #1959.
- Eight (8) pieces of cut to size and mitered 2Part Large Outer Frame, Part #1941.
- All screws required to assemble by mechanically fastening. Note: Raceway Cover Screws are not included.
- All Body Corner Angles and/or Corner Keys required.
- Packaging.
- Cut to size 2Part Large Hinge, Part #5997.
- Four (4) 2Part Large Locks, Part #5993.

Not Included in Sign Cabinet Kit Pricing:

- Faces.
- Electrical Components.
- Internal Supports.

Not Included (Cont.)

- Attachment of Hinge.
- Drilling of holes for locks and attachment of locks.
- Gas supports and mounting hardware.

Optional Accessories:

- Ballast Pan(s). See page 6
- Raceway Covers. See pages 6 & 7
- Divider Bar. See pages 4, 9 & 29
- Gas Supports and Mounting Hardware. See page 29

Kit Sizes and Availability:

- It is recommended to order kits 1-3/4" over nominal T-12 lamp size to utilize .040 flat Aluminum Raceway Covers.
- Custom size kits may be cut to any dimension.

Recommended Lamp Spacing:

- For flat plastic, illuminated backgrounds - 7" on center, using T-12 lamps.
- For pan formed faces use guideline for lamp spacing, see General Information on page 31.

Cut To Size Dividers:

- See options page 29

General Information:

- Finishes. See page 31
- Additional information. See page 31
- Cut to size and pre-cut kits are available locally through select sign supply distributors.
- The **Inner Frame** retains the inner face. See page 10
- The **Outer Frame** retains the vandal cover. See page 10

NOTE: It is recommended to use safety chains and prop-bars on hingeable faces.



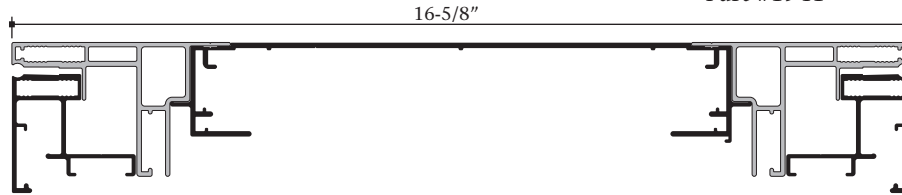
Unassembled 16-5/8" Double Face Vandal System Kits

2Part 12" D/F Body with 2Part Large Inner Frame and 2Part Large Outer Frame

Part #1929

Part #1959

Part #1941



Top, Bottom & Both Sides

Size HxW	Mill Finish	Pre Paint	Size HxW	Mill Finish	Pre Paint	Size HxW	Mill Finish	Pre Paint	Size HxW	Mill Finish	Pre Paint
2 x 3	\$447	\$556	4 x 4	\$663	\$836	6 x 6	\$958	\$1216	8 x 14	\$1707	\$2179
2 x 4	523	654	4 x 5	739	934	6 x 7	1033	1313	8 x 15	1782	2275
2 x 5	600	751	4 x 6	817	1031	6 x 8	1110	1410	8 x 16	1860	2372
2 x 6	676	847	4 x 7	892	1129	6 x 9	1187	1508	8 x 17	1936	2470
2 x 7	751	945	4 x 8	968	1225	6 x 10	1262	1605	8 x 18	2011	2569
2 x 8	828	1042	4 x 9	1045	1324	6 x 11	1338	1703	8 x 19	2088	2666
2 x 9	903	1141	4 x 10	1120	1422	6 x 12	1415	1800	8 x 20	2164	2764
2 x 10	979	1238	4 x 11	1196	1519	6 x 13	1489	1897			
2 x 11	1057	1335	4 x 12	1274	1617	6 x 14	1565	1994	9 x 9	1396	1783
2 x 12	1132	1434	4 x 13	1349	1714	6 x 15	1644	2092	9 x 10	1469	1880
2 x 13	1208	1531	4 x 14	1425	1812	6 x 16	1718	2189	9 x 11	1549	1977
2 x 14	1285	1630	4 x 15	1501	1910	6 x 17	1794	2288	9 x 12	1625	2075
2 x 15	1360	1726	4 x 16	1577	2007	6 x 18	1870	2385	9 x 13	1701	2173
2 x 16	1436	1823	4 x 17	1652	2105	6 x 19	1946	2482	9 x 14	1777	2271
2 x 17	1514	1921	4 x 18	1729	2201	6 x 20	2021	2579	9 x 15	1853	2368
2 x 18	1589	2018	4 x 19	1806	2298				9 x 16	1929	2464
2 x 19	1665	2115	4 x 20	1881	2396				9 x 17	2005	2562
2 x 20	1741	2214				7 x 7	1104	1404	9 x 18	2081	2659
			5 x 5	810	1026	7 x 8	1179	1501	9 x 19	2158	2757
			5 x 6	887	1124	7 x 9	1256	1599	9 x 20	2234	2855
3 x 3	518	647	5 x 7	963	1221	7 x 10	1332	1696			
3 x 4	593	746	5 x 8	1039	1318	7 x 11	1408	1793	10 x 10	1542	1971
3 x 5	671	843	5 x 9	1116	1416	7 x 12	1484	1893	10 x 11	1619	2068
3 x 6	747	941	5 x 10	1205	1512	7 x 13	1560	1990	10 x 12	1696	2166
3 x 7	822	1037	5 x 11	1267	1610	7 x 14	1636	2087	10 x 13	1771	2263
3 x 8	899	1134	5 x 12	1344	1708	7 x 15	1711	2184	10 x 14	1848	2363
3 x 9	975	1233	5 x 13	1419	1805	7 x 16	1789	2281	10 x 15	1924	2460
3 x 10	1050	1330	5 x 14	1496	1902	7 x 17	1865	2379	10 x 16	1999	2557
3 x 11	1128	1427	5 x 15	1572	2001	7 x 18	1940	2477	10 x 17	2076	2655
3 x 12	1203	1525	5 x 16	1648	2099	7 x 19	2017	2574	10 x 18	2151	2751
3 x 13	1279	1622	5 x 17	1724	2197	7 x 20	2093	2672	10 x 19	2228	2848
3 x 14	1356	1719	5 x 18	1800	2294	8 x 8	1250	1593	10 x 20	2305	2947
3 x 15	1431	1818	5 x 19	1876	2390	8 x 9	1326	1691			
3 x 16	1507	1914	5 x 20	1952	2488	8 x 10	1404	1788			
3 x 17	1584	2012				8 x 11	1479	1885			
3 x 18	1660	2109				8 x 12	1555	1983			
3 x 19	1736	2207				8 x 13	1631	2081			
3 x 20	1812	2306									

Included in Sign Cabinet Kit Pricing:

- Mill finish or Pre-Painted.
- Four (4) pieces of cut to size and mitered 2Part 12" Double Face Body, Part #1929.
- Eight (8) pieces of cut to size and mitered 2Part Large Inner Frame, Part #1959.
- Eight (8) pieces of cut to size and mitered 2Part Large Outer Frame, Part #1941.
- All screws required to assemble by mechanically fastening. Note: Raceway Cover Screws are not included.
- All Body Corner Angles and/or Corner Keys required.
- Packaging.
- Cut to size 2Part Large Hinge, Part #5997.
- Four (4) 2Part Large Locks, Part #5993.

Not Included in Sign Cabinet Kit Pricing:

- Faces.
- Electrical Components.
- Internal Supports.

Not Included (Cont.):

- Attachment of Hinge.
- Drilling of holes for locks and attachment of locks.
- Gas supports and mounting hardware.

Optional Accessories:

- Ballast Pan(s). See page 6
- Raceway Covers. See pages 6 & 7
- Divider Bar. See pages 4, 9 & 29
- Gas Supports and Mounting Hardware. See page 29

Kit Sizes and Availability:

- It is recommended to order kits 1-3/4" over nominal T-12 lamp size to utilize .040 flat Aluminum Raceway Covers.
- Custom size kits may be cut to any dimension.

Recommended Lamp Spacing:

- For flat plastic, illuminated backgrounds - 9" on center, using T-12 lamps.
- For pan formed faces use guideline for lamp spacing, see General Information on page 31.

Cut To Size Dividers:

- See options page 29

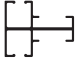
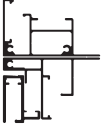
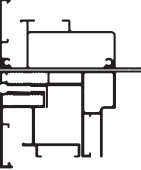
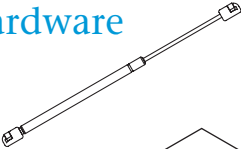
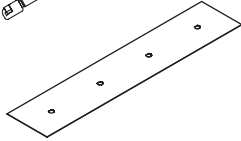
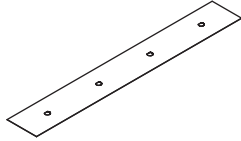
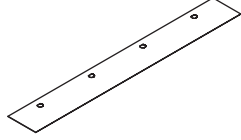
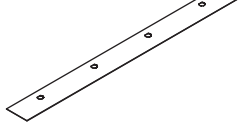
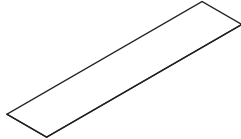
General Information:

- Finishes. See page 31
- Additional information. See page 31
- Cut to size and pre-cut kits are available locally through select sign supply distributors.
- The **Inner Frame** retains the inner face. See page 10
- The **Outer Frame** retains the vandal cover. See page 10

NOTE: It is recommended to use safety chains and prop-bars on hingeable faces.



Standard System Options

Part		Part Number	Cut to Size Mill Finish	Cost Per Foot Pre-painted
Cut To Size Dividers				
	2Part Divider Included: <ul style="list-style-type: none"> Screws for mechanical fastening. Divider Angles, Part #5300. 	1905	\$3.43	\$4.28
	2Part Extended Retainer 2Part Vandal System Included: <ul style="list-style-type: none"> Screws for mechanical fastening. Divider Angles 1" x 1" x 1/8" (1-1/8"). Corner Angles and Corner Keys. 2Part Hinge. 	1940 & 1942/1960	8.40	10.60
	2Part Large Extended Retainer 2Part Large Vandal System Included: <ul style="list-style-type: none"> Screws for mechanical fastening. Divider Angles 1" x 1" x 1/8" (1-1/8"). Corner Angles and Corner Keys. 2Part Large Hinge. 	1939 & 1941/1959	10.65	13.76
Part		Part Number	Price Each	
Hardware				
	Gas Support Included: <ul style="list-style-type: none"> (2) Gas Supports (2) Ball Stud Mounting Brackets (4) 10mm Ball Studs Screws for mechanical fastening. 	5934-Kit	\$50.33	
	1Part 2Part 12" Body Raceway Cover 9-7/8" x 48" x .040 (white) Pre-Punched 12" O/C	5984-12"	16.21	
	1Part 2Part 12" Body Raceway Cover 9-7/8" x 36" x .040 (white) Pre-Punched 12" O/C	5983-12"	14.21	
	1Part 2Part 12" Body Raceway Cover 9-7/8" x 24" x .040 (white) Pre-Punched 12" O/C	5982-12"	10.67	
	1Part 2Part 9" Body Raceway Cover 6-7/8" x 48" x .040 (white) Pre-Punched 12" O/C	5984-9"	12.80	
	1Part 2Part 9" Body Raceway Cover 6-7/8" x 36" x .040 (white) Pre-Punched 12" O/C	5983-9"	11.78	
	1Part 2Part 9" Body Raceway Cover 6-7/8" x 24" x .040 (white) Pre-Punched 12" O/C	5982-9"	8.97	
	1Part 2Part 8" S/F Body Raceway Cover 6-1/2" x 48" x .040 (white) Pre-Punched 12" O/C	5984-8"	12.25	
	1Part 2Part 8" S/F Body Raceway Cover 6-1/2" x 36" x .040 (white) Pre-Punched 12" O/C	5983-8"	11.36	
	1Part 2Part 8" S/F Body Raceway Cover 6-1/2" x 24" x .040 (white) Pre-Punched 12" O/C	5982-8"	8.69	
	1Part 2Part 6" S/F Body Raceway Cover 4-3/4" x 48" x .040 (white) Pre-Punched 12" O/C	5984-6"	10.38	
	1Part 2Part 6" S/F Body Raceway Cover 4-3/4" x 36" x .040 (white) Pre-Punched 12" O/C	5983-6"	9.69	
	1Part 2Part 6" S/F Body Raceway Cover 4-3/4" x 24" x .040 (white) Pre-Punched 12" O/C	5982-6"	7.79	
	1Part 2Part 12" Body Raceway Cover 9-7/8" x 48" x .040 (white) blank	5984B-12"	13.55	
	1Part 2Part 9" Body Raceway Cover 6-7/8" x 48" x .040 (white) blank	5984B-9"	9.17	
	1Part 2Part 8" S/F Body Raceway Cover 6-1/2" x 48" x .040 (white) blank	5984B-8"	8.41	
	1Part 2Part 6" S/F Body Raceway Cover 4-3/4" x 48" x .040 (white) blank	5984B-6"	6.75	



Unassembled Wall Frames & Edge Lit LED Kits

3/4" Wall Frame Part #1948						1-3/8" Wall Frame Part #1949					
Size HxW	Clear Anodized Finish	Price	Size HxW	Clear Anodized Finish	Price	Size HxW	Clear Anodized Finish	Price	Size HxW	Clear Anodized Finish	Price
12 x 12		\$29	24 x 24		\$34	36 x 36		\$49	12 x 12		\$31
12 x 18		30	24 x 30		41	36 x 48		57	24 x 24		\$47
12 x 24		32	24 x 36		47	36 x 60		64	24 x 30		49
12 x 30		34	24 x 48		49	36 x 72		72	24 x 36		52
12 x 36		37	24 x 60		57	36 x 84		78	24 x 48		60
12 x 48		42	24 x 72		64	36 x 96		87	24 x 60		68
12 x 60		49	24 x 84		72	36 x 108		93	24 x 72		77
12 x 72		57	24 x 96		78	36 x 120		102	24 x 84		88
12 x 84		64	24 x 108		87	36 x 132		109	24 x 96		96
12 x 96		72	24 x 120		93	36 x 144		117	24 x 108		106
12 x 108		78	24 x 132		102				24 x 120		113
12 x 120		87	24 x 144		109				24 x 132		124
12 x 132		93				48 x 48		64	24 x 144		133
12 x 144		102				48 x 60		72			
			30 x 30		41	48 x 72		78			
			30 x 36		44	48 x 84		87	30 x 30		49
			30 x 48		52	48 x 96		93	30 x 36		54
			30 x 60		60	48 x 108		102	30 x 48		62
			30 x 72		68	48 x 120		109	30 x 60		73
			30 x 84		74	48 x 132		117	30 x 72		81
			30 x 96		81	48 x 144		124	30 x 84		91
			30 x 108		90				30 x 96		100
			30 x 120		97	60 x 60		78	30 x 108		110
			30 x 132		106	60 x 72		87	30 x 120		120
			30 x 144		112	60 x 84		93	30 x 132		128
						60 x 96		102	30 x 144		139
						60 x 108		109			
						60 x 120		117			
						60 x 132		124			
						60 x 144		132			

Included in Wall Frame Kit Pricing:

- Clear Anodized Finished.
- Four (4) pieces of cut to size and mitered 3/4" Wall Frame, Part #1948.
- Four (4) #8 x 3/4" counter sunk S.S. phillips head screws, Part #5241.
- Vertical end pieces are pre-drilled and counter sunk.

Not Included in Wall Frame Kit Pricing:

- Face.
- Mounting Hardware.

Included in Wall Frame Kit Pricing:

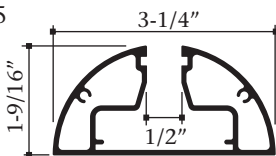
- Clear Anodized Finished.
- Four (4) pieces of cut to size and mitered 1-3/8" Wall Frame, Part #1949.
- Four (4) #8 x 3/4" counter sunk S.S. phillips head screws, Part #5241.
- Vertical end pieces are pre-drilled and counter sunk.

Not Included in Wall Frame Kit Pricing:

- Face.
- Mounting Hardware.

Edge Lit LED 1/2 Round

Part #1995



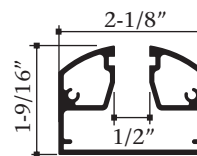
Length Inches	Mill Finish	Price
12		\$55
15		57
18		59
24		63
30		67
36		72
42		76
48		80

Included in Edge Lit LED Kit Pricing:

- Cut to Length LED profile Mill Finish.
- Two (2) End Caps.
- Four (4) #6 x 3/8" Cap Screws.
- All spring pins required for assembly.
- NOT INCLUDED: Face, LED's and electrical components .

Edge Lit LED 1/4 Round

Part #1996



Length Inches	Mill Finish	Price
12		\$52
15		55
18		56
24		60
30		63
36		67
42		71
48		74

Included in Edge Lit LED Kit Pricing:

- Cut to Length LED profile Mill Finish.
- Two (2) End Caps.
- Four (4) #6 x 3/8" Cap Screws.
- All spring pins required for assembly.
- NOT INCLUDED: Face, LED's and electrical components .



Additional Information

General Information

- The bodies and retainers should be cut 1-3/4" longer than the nominal T-12 lamp size for horizontal or vertical lamping.
- General guide lines for lamp spacing: Double the distance between the front of the lamp and the back of the plastic face for your center to center lamp measurement. Maximum center to center is 12".
- Extrusion bodies and retainers are engineered for mechanical fastening, bonding with adhesive, or welded assembly.
- Divider Bars and usage see page 29.
- Assembly sheets available.

Included in Kit Pricing

- Mill Finish or Pre-Painted.
- Cut to size and mitered bodies.
- Cut to size and mitered retainers.
- All Body Corner Angles and/or Corner Keys as required.
- Packaging.

Included in Vandal System:

- Cut to size and mitered inner frame(s).
- Cut to size and mitered outer frame(s).
- Cut to size hinge.
- Locks.

Not Included in Kit Pricing

- Faces and Backs.
- Electrical components.
- Structural supports, Back Braces and Gussets.
- Attachment of hinge.
- Drilling of holes for locks and attachment of locks.

Optional Accessories:

- Ballast Pan(s). See page 6.
- Raceway Covers. See page 6 & 7.
- Gas Supports and mounting hardware. See page 29.
- Divider Bar. See page 29.

Mill Finish

- No prior surface preparation. Surface scratches, die lines and imperfections present. **Not ready for paint.**

Pre-Painted

- Exposed aluminum surfaces are coated with Quaker Dark Bronze primer/topcoat.
- Limited additional colors are available, minimum order will apply.

Pricing

- All prices are effective as of March 1, 2007. Due to fluctuation in the raw aluminum market, prices are subject to change without notice.
- Standard packaging is included in list prices.
- Freight shall be collect, F.O.B. SignComp.

Additional Information

Freight Policy

- The freight shall be prepaid, F.O.B. Grand Rapids, Michigan for single orders of extrusions and/or accessories whereby the invoiced amount is \$5,000.00 or more to any single destination within the continental United States or Canada.
- The freight shall be collect, F.O.B. Grand Rapids, Michigan for all orders other than as stated in this freight policy.
- All freight claims for freight collect shipments are the sole responsibility of the buyer.
- Any requests for expedited freight services shall be the sole expense of the buyer.
- Combining stock items with custom run items qualifies for freight prepaid status only when all items ship as one shipment.

Minimum Order

- Any single full length extrusion profile and/or prepackaged accessories.
- Any single kit.

Availability

- Typical extrusion and accessory orders ship within three (3) days upon receipt and acceptance of your purchase order.
- All orders will receive an approximate ship date upon receipt and acceptance of the written purchase order and confirmation.

Exclusive Warranty and Remedies

- In effect as of January 1, 2008.
- This is the exclusive warranty policy of SignComp, LLC, Grand Rapids, Michigan 49544 (the "Company") with respect to any and all of its products.

EXCLUSIVE WARRANTY

- The Company warrants you as the original purchaser that the Company's products will be free from defects in materials and workmanship, under normal conditions, upon shipment of said products from the Company, for 30 days.
- This exclusive warranty does not apply to damage caused by improper handling. The company shall have no liability or responsibility for any damage whatsoever caused by handling.
- The Company hereby disclaims any and all other warranties, including, without limitation, implied warranties of merchantability and fitness for a particular purpose. The only warranty with respect to the Company's products is described in this exclusive warranty. No oral or written representations shall extend the Company's exclusive warranty beyond the description herein.

WARRANTY PROCEDURES

- The purchaser must notify the Company of any warranty claim prior to initiating any remedy upon the defective product. Upon receipt of such notice, the Company will direct that an authorized representative inspect the product and, if necessary, correct the defect in accordance with this exclusive warranty. The Company shall have the exclusive right to determine whether or not a defect is covered by this exclusive warranty.

Return Policy

- Returns of SignComp products will not be accepted without prior authorization and written RMA number from SignComp.
- Materials may not be returned for any reason other than defective product or incorrect fulfillment of order.
- All goods to be returned must be acknowledged in writing within the 60 day grace period from the date of the shipment. Any claims after this period will be considered invalid.
- All returned goods **must be in new and saleable condition** for full credit to be issued.

Additional Product Offerings

- Custom extrusions. Mill shipment programs.
- Pre-painted and cut to length extrusion programs.

Backorder Policy

- In the very unlikely event of a back order, the back order will be shipped freight prepaid only if the original order qualified for freight prepaid status.
- Additional materials may be added to any back order, shipped freight prepaid with the additional freight expense the responsibility of the buyer.
- Any expedited freight service requested by the buyer shall be at the expense of the buyer.

REMEDIES

- Provided that the warranty procedures are followed, the Company will repair and/or replace the defective SignComp product(s) during the applicable warranty period without charge for parts or labor.
- Repair and/or replacement of defective SignComp products is your exclusive remedy under the Company's exclusive warranty.
- The Company shall not be liable for any incidental or consequential damages if the Company's product is defective or does not conform to this exclusive warranty. In any event the maximum amount for which the Company shall be liable to the purchaser shall be the original purchase price of the defective SignComp product(s).
- Any claim for breach of this exclusive warranty shall be brought, if at all, no later than 30 days from the Company's breach.

ADDRESS FOR NOTIFICATION

- Notice of a product defect covered by this exclusive warranty can be made in writing or by telephone. The Company's address and telephone number are:

SignComp, LLC, 3032 Walker Ridge Dr., Grand Rapids, MI 49544
 Attention: Customer Service - Phone: (616) 784-0405
 Toll Free: (877) 784-0405
 Fax: (616) 784-0411
 e-mail: signcomp@signcomp.com

Environmentally Friendly



Products • Processes • Facility

Our Mission: To promote business and personal practices that will decrease our impact on the environment and minimize our carbon footprint by reducing the demands placed upon our planet in an earth-friendly way.



**3032 Walker Ridge Dr.
Grand Rapids, MI 49544
U.S.A.
toll free: (877) 784-0405 (US and Canada)
local: (616) 784-0405
fax: (616) 784-0411
e-mail: signcomp@signcomp.com
www.signcomp.com**

© 2008 SignComp LLC.